



**Exterior design –  
precise and confident**



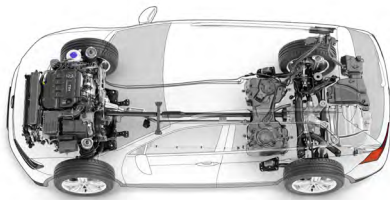
**Interior – space for living**



**Assistance, convenience and  
infotainment systems – networks**



**Engines – TSI and TDI**



**All-wheel drive –  
4MOTION**



**Features –  
lines and packages**



**Plug-in hybrid –  
concept car with solar roof**



**Notes and media-link**



# Contents

[www.volkswagen-media-services.com](http://www.volkswagen-media-services.com)

User-ID: **tiguan2015**

password: **volkswagen09**

## Contents › **Tiguan in detail**

› Exterior design – precise and confident	05
› Interior – space for living	15
› Assistance, convenience and infotainment systems – networks	19
› Engines – TSI and TDI	27
› All-wheel drive – 4MOTION	30
› Features – lines and packages	37
› Tiguan GTE - The Plug-in hybrid concept car	42
› Notes and media links	52



› MQB is foundation for  
a new SUV world:

## **Tiguan shows striking dynamism – both visually and technically**

- › A new vehicle layout with sharp proportions and a sporty design
- › All-wheel drive Tiguan is equipped with new 4MOTION Active Control





## Exterior design – precise and confident

**Wolfsburg / Frankfurt, September 2015.** In the second generation Tiguan, Volkswagen designers have created an SUV that transfers a new design quality to this segment in a progressive and competitive way. The precision and logic of its lines as well as its clear and unmistakably dominant character have led to a visual profile of the Tiguan that clearly differentiates it from its competitors.

**Longer, wider and lower.** The new dimensions and proportions elevate the Tiguan from the previous model as well. It is now larger. At 4,486 mm in length, the new model is 60 mm longer, and its wheelbase has been lengthened by 77 mm to 2,681 mm. The new vehicle is 1,839 mm wide, which is 30 mm more than before. Meanwhile, its height was reduced by 33 mm to 1,632 mm (base model with front-wheel drive). The  $C_d$  figure of the new Tiguan was reduced



as well, thanks to numerous aerodynamic improvements. One example of the innovative aerodynamics is the newly designed door mirrors. By means of wind tunnel testing and airflow simulations the shape of the mirror housings could be improved to such an extent that their share of overall air drag was reduced by 40 per cent. This, and other measures, enabled a 0.048 improvement in the vehicle's  $C_d$  figure to 0.31.

**Strong front end.** The front end of the new Tiguan has a significantly wider look. This is attributable to an actual increase in physical width plus the visual effect of the radiator grille and headlights that are aligned horizontally. The Tiguan is the first SUV from Volkswagen to be equipped with LED projection headlights that are optional or standard (in „Highline“). These lights make the front end especially distinctive. Depending on the equipment line, a chrome strip runs across the front of the car above the headlights.



Above the radiator grille and the headlights, the bonnet of the new Tiguan – which is now positioned much higher than that of the previous model – shoots toward the windscreen in a V-shape with precise and sharp lines. From the viewing point of the grille, the outer lines of the V-shape form the borders of the part of the bonnet that curves upward sublimely. In the grille itself, the continuation of this line merges with one edge of the headlight housing. Each line has a logical purpose. In the concise bumper, the „V“ of the bonnet is mirror-inverted into an „A“. The vertical lines all point outward, which once again emphasises the width and power of the Tiguan.



**Unique silhouette with double character line.** The vehicle's side profile is extremely distinctive. The waistline is higher compared with the previous model, which emphasises the SUV design of the Tiguan. Also drawn higher is what is known as the character line – one of the most concise design characteristics of the new Tiguan. The design of this line reflects the great creativity of the designers and the equally great know-how of the production specialists at Volkswagen. The character line extends over the entire silhouette of the Tiguan – a horizontal line upon which the door handles are seamlessly positioned (a masterly achievement of production technology and design). For the first time, the character line is executed twice on the car. Beneath the upper line, a horizontal surface follows as a break, and then there is the second line. Designers talk of a „line dialogue“ here. The lower of these lines emphasises the sculpturally flared and therefore powerful looking wheel arches and the shoulder section.





**Line dialogue as a common thread.** In contrast to the previous model, the area above the character line is a flatter and thereby more elegant band of side windows. This band extends into the dynamically angled D pillars (all-round visibility was also further improved based on the newly conceptualised roof pillars). Another example of the keyword „line dialogue“: fine, double lines – such as around the windows and beneath the roof line – that also produce exclusive brilliance in these areas. At the same time, these lines break the light and make the car look lower and sportier. Like in a sports car: the side mirrors mounted just beneath the window shoulders whose shapes were refined in wind tunnel testing and significantly minimise lateral wind noises. The lowest section of the side body is an area in black that wraps around the vehicle. Also finished in this colour are the rugged plastic trim add-ons of the wheel arches. Elegant: a chrome trim



strip that separates the surfaces painted in body colour and those in anthracite colour on the vehicle's sides. This chrome accent is continued at the rear.

**Sculptural rear body.** The lateral character line becomes a defining rear element above the rear lights. The line defines the upper border of the standard LED rear lights in an extremely precise and sharp manner. The lights with their three-dimensional design also show a sharp horizontal cut. This cut is continued as a line between the rear lights and forms a trailing edge that is important for aerodynamics. Beneath the two-part tail lights, the tailgate extends far to the sides, and the maximum width of the tailgate opening was increased compared to the previous model. Another style-defining feature is that the entire area between the horizontal cut and the load sill forms a rectangular, horizontally aligned surface that underscores the width of the Tiguan and also gives the car an unmistakable look when viewed from the rear. Below this trim are an



anthracite-coloured area and the integrated diffuser in granite grey metallic. Viewed from the rear, it is also clear that the roof box is drawn in slightly, and it develops a powerful shoulder section like on a coupé.











## Interior – space for living

**Intuitive modernity.** The interior of the Tiguan, which has also been fully redesigned, shows a decidedly sporty and yet conscious SUV character. Fitting into this picture is the consistently driver-oriented concept of the dash panel. The central elements are the instrument cluster (optionally implemented as the digital Active Info Display) and the infotainment system that is positioned high in the centre and is angled toward the driver. Beneath the infotainment system is the sporty centre console with climate controls that is also angled toward the driver. The dash panel and centre console form a single stylistic unit here. The centre console itself is dominated by an array of buttons that are laid out around the elevated position of the gear lever. As on the exterior, the designers also systematically applied the „Form follows function“ principle here. The button array is lengthened diagonally on the driver's side. Optimally accessible here is



the round, intuitively operated multifunction switch of the new 4MOTION Active Control. The interplay of the dash panel, centre console and door panels creates a remarkable cockpit atmosphere for the driver. An example of perfection in details: the narrow, precisely worked frames in aluminium look around the air vents and the door loudspeakers. Typical SUV ruggedness: the door handles. Designers also emphasised the SUV feeling of the interior in their choice of surface textures and distribution of volumes. The interior is marked by a high level of consistently thought-out ergonomics and intuitive operating structures. Noteworthy is the considerably increased head room at the rear seats, despite the low vehicle body height.

**More space in the rear seating area.** Thanks to excellent space utilisation, seating space has been significantly improved in the new Tiguan (26 mm more interior length). Three passengers in the rear seating area, for instance, have 29 mm more





knee room. The size of the luggage compartment has also increased. The new model offers 145 litres more cargo capacity (up to 615 litres with five persons on-board). In addition, the rear bench seat is asymmetrically split and can be adjusted up to 18 cm longitudinally. The reclining angle of the seat backrest can also be adjusted. When the rear bench is folded, this results in a boot volume of 1,655 litres. Practical: If necessary, the backrest of the front passenger seat can be folded fully forward for stowing very long cargo items. Last but not least, it is now even easier to load the Tiguan, because the load sill has been lowered further.







## Assistance, convenience and infotainment systems – networks

**Electronic perfection.** The new Tiguan is one of the world's most advanced A-SUVs with an impressive array of innovations. These innovations enhance the vehicle's safety, convenience, infotainment and dynamism. First, there are technologies like the 12.3-inch Active Info display (interactive, fully digital main instruments with five information profiles) and the head-up display that is being offered for the first time in a Volkswagen SUV that forge new paths for user operation and information channels. Second, the vehicle's safety, convenience and connectivity have been taken to a new level by an array of protective assistance systems, numerous innovative convenience systems and a matrix of infotainment systems with enhanced networking capabilities. For Tiguan owners, it will become second nature to utilise a wide variety of online



services and integrate today's smartphones of the Android or Apple worlds into control of the infotainment systems.

**Assistance systems for greater safety.** New standard systems of the base version (Trendline) are the mentioned Front Assist surroundings monitoring system including City Emergency Braking and Pedestrian Monitoring as well as the active bonnet. A new standard feature is the Lane Assist lane departure warning system. In addition, the safety equipment is completed by a network of seven airbags, including a knee airbag on the driver's side. Another general feature of all Volkswagen vehicles based on the MQB is the Automatic Post-Collision Braking System; it helps to avoid hazardous secondary collisions. A standard feature from the middle equipment level (Comfortline) is the Driver Alert System.



**Tiguan Highline with ACC.** The top version (Highline) is also equipped with adaptive cruise control (ACC), which utilises radar-based control to accelerate the Tiguan or brake it and thereby always maintain the correct distance to traffic ahead. If the SUV is equipped with DSG in addition to ACC, it automatically handles stop-and-go traffic as well (traffic jam assist). Other Tiguan systems that assist in active or passive safety include the optional Side Assist (lane-changing assistant), Pre-Crash proactive occupant protection (detects elevated collision potential, tensions the front seatbelts to preventively restrain the driver and front passenger and closes open windows and the sunroof to just a small gap), Emergency Assist (recognises if the driver is no longer responsive and brakes the car to a stop) and Area View (360 degree all-round view using four cameras) that is especially useful off-road.



**Convenience systems make life on-board ideal.** Volkswagen will be offering the second generation Tiguan with a new 3-zone automatic climate control system. A separate control panel can then be used to individually adjust temperatures and blower speeds for rear passengers. This new Climatronic keeps air quality at a constant high level thanks to its air quality sensor and active biogenic filter, preventing pollutants from entering the car – from mould spores to allergens. This is a technology that is unique worldwide and is so far only used by Volkswagen. Enhancing comfort are fully redesigned seats, optionally with a memory function on the driver and front passenger seats. Comfort in the front is further perfected by the new ergoActive seat for the driver and front passenger (includes electric 4-way lumbar support and massage function). One of the largest panoramic tilting sunroofs in the class (870 mm x 1,364 mm) with integrated ambient lighting make trips – both short and long – more pleasant. Also ensuring ideal comfort and convenience are features such as Easy Open / Easy Close (automatic



opening or closing of the tailgate in response to a specific foot movement behind the Tiguan), steering wheel heating and electromechanical progressive steering (effects include reduced number of steering wheel turns and more precise driving in the mid-range of steering).

**Infotainment systems go online.** In the Trendline equipment version, the Tiguan is equipped with the Composition Touch radio system (5.0-inch monochrome touchscreen) as standard. The Tiguan Comfortline and Highline get the Composition Colour radio system (5.0-inch colour touchscreen) at no extra charge. The Composition Media radio system (8.0-inch colour touchscreen) is also available. Other option levels are the Discover Media and Discover Pro radio-navigation systems (both also have 8.0-inch displays). All of these systems are part of the second generation modular infotainment matrix (MIB II).



**Connectivity.** The MIB II creates the proper conditions for connecting the Tiguan with today's Apple and Android smartphones via App Connect. In addition to MirrorLink™, App Connect also integrates CarPlay™ (Apple) and Android Auto™ (Google) into the infotainment systems. The Media Control app makes Volkswagen one of the first automakers to also offer an interface to the infotainment system for tablets. On-board once again is the Volkswagen online service Guide & Inform, which lets users access services such as latest traffic jam warnings, information on available parking spaces in nearby car parks (number of spaces and address) and information on filling stations (fuel prices and addresses). For the first time, Volkswagen is now also offering the online service Security & Service, which can be used in many different situations to request assistance from the vehicle via a call centre. Some of the features integrated here are online road service call, automatic accident notification, service scheduling (to arrange maintenance appointments for the Tiguan with the service centre) and requesting the vehicle





status report. Depending on the package that is selected, it may also be possible to use a smartphone to request vehicle status or parking location or activate the parking heater function.

**Interface box with inductive connections.** Incidentally, the smartphone itself can be placed conveniently in a newly designed and innovative interface box („Comfort“ mobile phone preparation). The highlight here is that the phone can be charged and coupled to the vehicle's outside antenna inductively (based on the Qi standard) – that is, without cables.





Instrument cluster information:

- Left gauge: Tachometer (0-8)
- Center display: Willkommen, 14:33, 24.5°C, Fahrer 1, Car icon
- Right gauge: Speedometer (0-260 km/h)

Infotainment system controls:

- Left side: RADIO, MEDIA, PHONE, VOICE
- Center screen: VW logo, WELCOME TO VOLKSWAGEN
- Right side: NAV, TRAFFIC, CAR, MENU

Climate control panel:

- Temperature: 21.5 (left), 22.0 (right)
- Buttons: REST, AUTO, MENU, SYNC
- Controls: max A/C, A/C



## Engines – TSI and TDI

**Four petrol and four diesel engines.** The many different equipment configurations may be combined with a total of eight Euro-6 engines. In this class, Volkswagen provides a turbocharger, direct injection, stop-start system and battery regeneration as standard. The four petrol engines (TSI) produce 92 kW / 125 PS, 110 kW / 150 PS, 132 kW / 180 PS and 162 kW / 220 PS of power. The four diesel engines (TDI) produce 85 kW / 115 PS, 110 kW / 150 PS, 140 kW / 190 PS and 176 kW / 240 PS of power. The base engines of the new Tiguan are launching with front-wheel drive. All of the other Tiguan versions offer all-wheel drive either as an option or as standard. Compared to the previous model with Euro-5 engines, the four-cylinders engines in the new Tiguan are up to 24 per cent more fuel-efficient. Compared to the retired model with Euro-6 engines, progress has been made that results in fuel savings of up to 10 per cent.



**Now up to 240 PS.** Proving that the second generation Tiguan is launching with a new dominance is its extended drive system matrix. This year, Volkswagen already switched over the engines of the previous model to new Euro-6 engines. But in the new model the petrol and diesel engines are taking a substantial leap upward. While the highest powered TSI engine had an output of 150 PS previously, as mentioned the range has been extended with two 2.0-litre engines with 180 and 220 PS. The leap among the diesel engines is also large. Previously, the strongest TDI had an output of 184 PS. The power of this engine variant is now the noted 190 PS. The top engine being employed is the newly engineered 240-PS engine (2.0 TDI) with biturbo charging and 2,500 bar of injection pressure. With 88 kW / 120 PS per litre displacement, the 2.0 TDI has one of the highest specific powers in the A-SUV segment.







## All-wheel drive – 4MOTION

**Systematic all-wheel drive.** Many drivers of a Tiguan value the possibility of driving off-road in a safe way – either in business or private use. In addition, the all-wheel drive system offers added safety in adverse weather conditions. The fact is that Volkswagen also offers the highly efficient 4MOTION all-wheel drive system in the new Tiguan, either as an option or as standard, depending on the engine selected. The ground clearance of all Tiguan 4MOTION versions is 11 mm higher (200 instead of 189 mm). In addition, the Tiguan can be ordered with a special off-road front end; in that case its approach angle is 25.6 instead of 18.3 degrees. The departure angle at the rear is 24.7 degrees for all versions, as is the ramp angle. New and specially developed for the new SUV is 4MOTION Active Control – an off-road switch with four different modes. Regardless of whether



the vehicle has an on-road or off-road front end design, the new Tiguan is engineered for enormous trailer loads of up to 2,500 kilograms.

**4MOTION.** 4MOTION all-wheel drive operates with a fifth generation Haldex coupling. It actively distributes torque to all four wheels before slip occurs. In normal driving, only the front wheels are driven, saving fuel. But as soon as there is a risk of losing traction, the rear axle is variably engaged within fractions of a second. Along with the Haldex coupling that acts as a longitudinal lock, the electronic differential locks (EDS) integrated in the electronic stability control (ESC) system act as transverse locks for all four wheels.

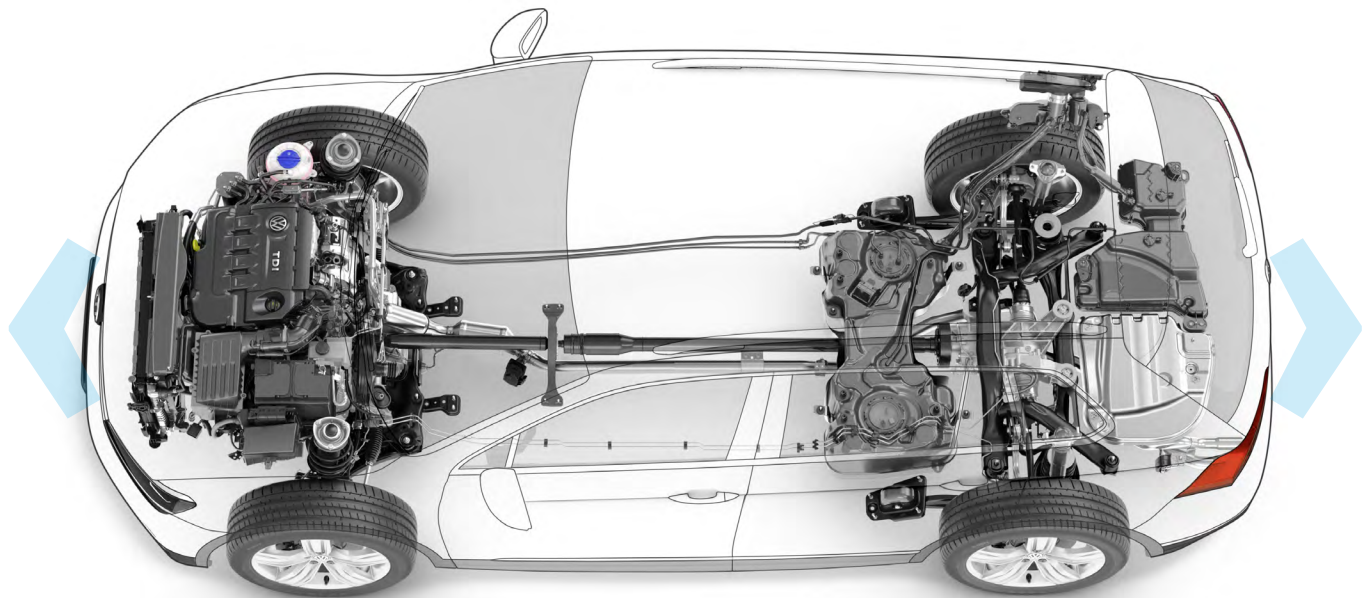
**4MOTION Active Control.** The intuitively operated rotary/pushbutton switch of the new 4MOTION Active Control is located on the centre console. The driver uses it to activate four higher-level modes and various popup menus. When the

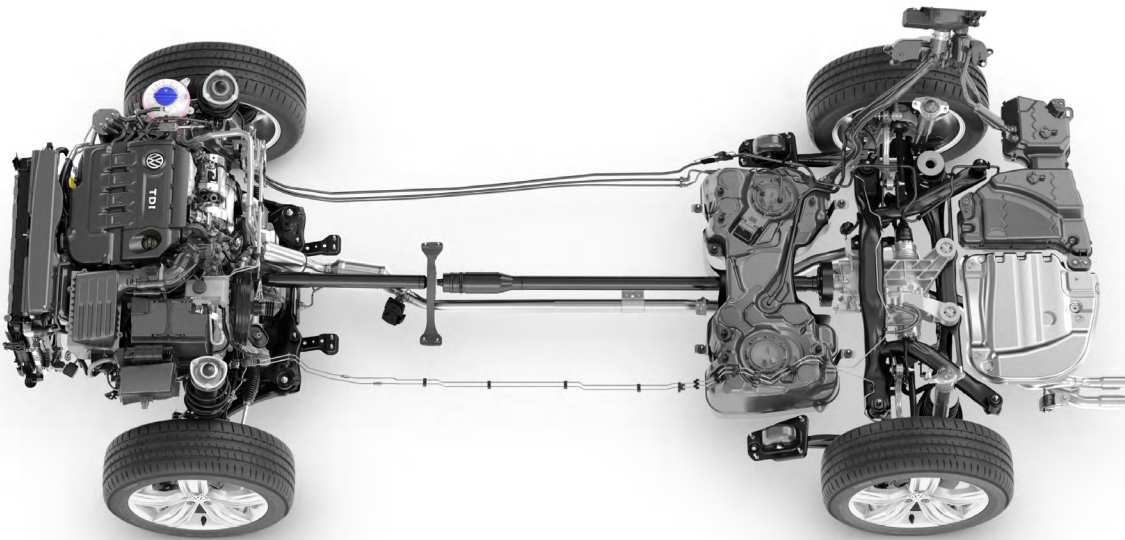


driver turns the switch to the left, one of the two road profiles Onroad or Snow can be activated. When the switch is turned to the right, the driver selects one of the two off-road profiles Offroad (automatic setting of off-road parameters) or Offroad Individual (variable settings). When driving off-road, 4MOTION Active Control lets drivers switch the assistance systems in just seconds with a single manual operation to adapt them to the propulsion situation – a safety gain. The same applies to a mode like „Snow“, which also optimises safety during winter weather conditions such as in a skiing region.















## Features – lines and packages

**Newly configured features matrix.** The new Tiguan will be available in the Trendline, Comfortline and Highline equipment lines. All versions may be ordered with an off-road front end (25.6 degree approach angle instead of 18.3 degrees) as an alternative. The Tiguan Comfortline and Tiguan Highline feature a sporty look with the ‚normal‘ front end. The newly conceptualised R-Line packages make the SUV even more dynamic.

**R-Line packages in detail.** The R-Line packages – either a total package of exterior and interior features or an alternative exterior package – focus on pure dynamics. On the exterior, the R-Line features include „Sebring“ alloy wheels in 19-inch format or even the optional 20-inch „Suzuka“ alloy wheels which were also named after a race track (maximum size of the previous model's wheels was



19-inch). Except for the wheel arches, all other anthracite-coloured body surfaces are painted in body colour in conjunction with the R-Line exterior package. This also applies to the exclusive door trims which have the same visual effect as side sill extensions. The exterior design is perfected by such details as bumpers in R-Line design with glossy black aerodynamic accents, a two-tone roof spoiler and a rear diffuser, which is also glossy black. The interior features of the comprehensive R-Line package include seats in R-Line design (cloth and microfibre seat upholstery, optional „Vienna“ leather upholstery), aluminium door sill guards with R-Line logo (optionally illuminated), decorative stitching in Crystal Grey, special trim accents, stainless steel pedal caps and foot rest (driver's side), black rooflining and leather-trimmed multifunction steering wheel with R-Line logo.









LED rear lights

**C<sub>d</sub> value**

**Solar roof module**

**Area View**

Head-up display

Dual LED headlights

**Line dialogue**

Plug-in hybrid drive

**R-Line packages**

**Double character line**

Boot space

2,500 kg trailer load



› Tiguan concept car with plug-in hybrid drive:

## **New solar roof enables additional zero-emission kilometres**

- › 218-PS Tiguan GTE has an combined fuel consumption of just 1.9 l/100 km
- › Innovative solar roof module generates energy for up to 1,000 km annually





## Plug-in hybrid – concept car with solar roof

**Wolfsburg / Frankfurt, September 2015.** Demonstrating the future directions the Tiguan might take is the Tiguan GTE – the first plug-in hybrid SUV from Volkswagen, which the brand is showing at the IAA. This Volkswagen, which is being presented as a concept vehicle, develops a system power of 160 kW / 218 PS and can cover a distance of up to 50 km in „E-Mode“ driving as an all-electric zero-emission vehicle. Its average fuel consumption (combined) is a mere 1.9 l/100 km; this equates to a CO<sub>2</sub> emissions figure of 42 g/km. The relatively long electric driving range not only benefits from the externally chargeable lithium-ion battery with an energy capacity of 13.0 kWh, but also from a solar



module that is integrated in the roof – a world exclusive. Under ideal conditions, the energy that it generates annually is sufficient to add up to 1,000 km of driving range (Germany 500 km, Southern Europe 800 to 1,000 km), depending on the regional solar radiation power.

**TSI plus E plus DSG.** The concept car is driven via its front axle by a direct-injection turbocharged petrol engine (1.4 TSI with 115 kW) and an electric motor. The lithium-ion high-voltage battery supplies the electric motor with energy. The Tiguan GTE operates with a 6-speed dual-clutch gearbox (DSG) that was specially developed for hybrid use. The electric motor was integrated into the gearbox housing. Additional components of the hybrid drive include the power electronics (converts DC power from the battery to AC power for the electric motor) and a charger. The Tiguan GTE can be driven in the described E-Mode or in one of the three other modes Hybrid, Battery Charge, or GTE. After star-



ting the drive system, the concept vehicle automatically drives off in „E-Mode“. Exclusively driven by electric motor, the Tiguan reaches a top speed of 130 km/h. When a minimum charge level of the battery has been reached or when there is very high demand for power, the drive system automatically switches over to the „Hybrid“ mode. This means that „E-Mode“ is deactivated, and the Tiguan GTE now behaves like a classic full hybrid vehicle that automatically uses the TSI and/or electric motor according to the driving situation. By pressing the „E-Mode“ button, the driver can manually switch to zero-emissions operation if necessary.

**GTE mode as boost function.** The driver presses the GTE button to switch to GTE mode, which activates a very agile side of the concept car. This GTE mode is an exclusive feature of all Volkswagen vehicles with a plug-in hybrid drive system. The characteristics of the accelerator pedal, gearbox and steering are made noticeably more dynamic, and the tuning of the TSI is more performance oriented.



In addition, in the GTE mode the TSI and electric motor work together in what is known as „boosting“ which makes the full system power and the maximum system torque available. The Tiguan GTE then has a top speed of 200 km/h and accelerates to 100 km/h in a short 8.1 seconds.





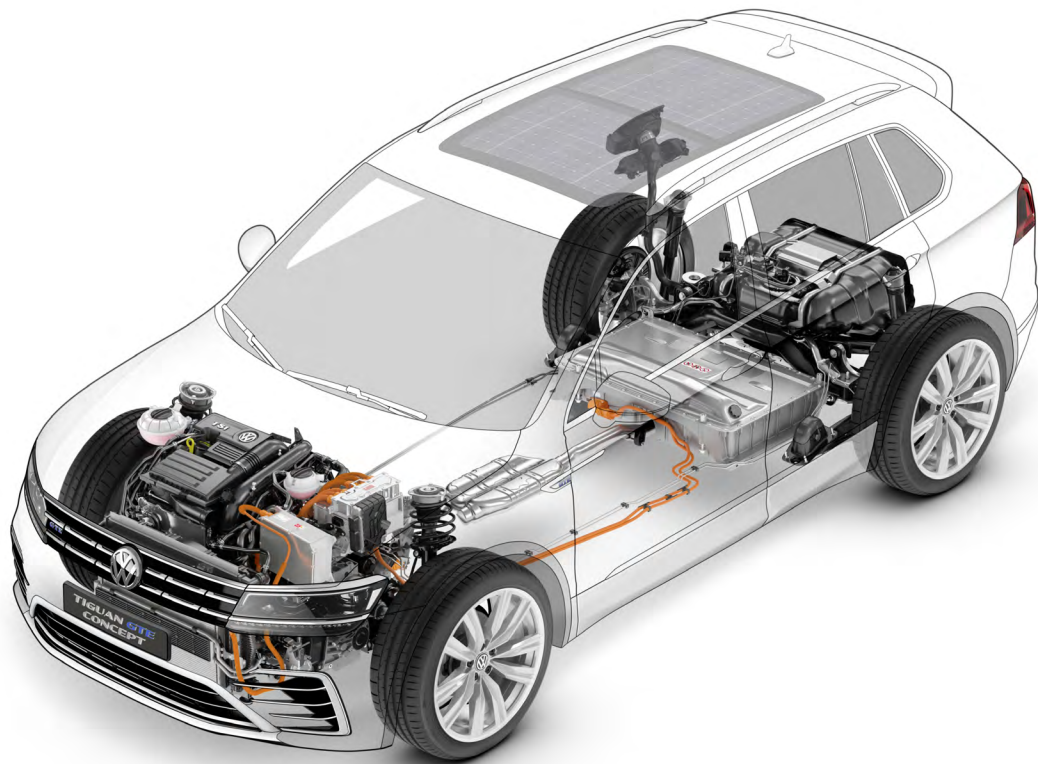
TIGUAN GTE  
CONCEPT



TIGUAN GTE  
CONCEPT

GTE







Interface box **Active Info Display**

Off-road front end

**GTE**

**App-Connect**

**4MOTION**

**4MOTION Active Control**

**All-wheel drive**

**Proportions**


**Media Control**

**Knee room**

**Guide & Inform**

**Security & Service**



➤ This is an interactive PDF. Click the text segments **highlighted in cyan** to navigate directly between topics! Click the icon  to navigate to the overview.

➤ This press kit as well as images and videos on the new Tiguan are available online at:

**[www.volkswagen-media-services.com](http://www.volkswagen-media-services.com)**

User-ID: **tiguan2015**

password: **volkswagen09**

➤ TDI, TSI, DSG and „electric propshaft“ are registered trademarks of Volkswagen AG or other companies of the Volkswagen Group in Germany and other countries.

All fuel consumption and driving performance data cited in this press kit are estimated values, as of August 2015. All specified data refer to the model range offered in Germany.

