



ADDAC System
Instruments for Sonic Expression
Est.2009

INTRODUCING
ADDAC713
STEREO
DISCRETE
MIXER

USER'S GUIDE . REV01
August.2022



From Portugal with Love!

Welcome to:

ADDAC713 STEREO DISCRETE MIXER USER'S GUIDE

Revision.01 August.2022

DESCRIPTION

ADDAC713 is the stereo version of our 703 Discrete Mixer. Inspired by Moog's CP3 mixer, this is a fully discrete analog mixer and it's not, by any means, your standard breakfast mixer, although it can behave like one. This is a wolf in sheep's clothing. Despite its harmless looks there's a dark snarly soul behind that panel that wants to take your sounds into a realm of gritty gnarly growls.

This new version was initially thought of as a percussion mixer, with mono inputs and panning, to allow placing percussive voices in the stereo field, while keeping channel 4 in mono for low end sources like a kick drum or Bass. In the development process we slightly changed this initial idea, adding stereo inputs for the first 3 channels, but still kept the 4th channel in mono.

All four [GAIN] controls go to extreme levels, the first 3 channels also feature [PAN] controls.

Feedback is used to overdrive the whole mix. As the control is turned clockwise the sound will be clipped harder until it goes completely off, this happens as feedback is increased the audio bias reference also moves up, at extreme levels it offsets the whole signal upwards until it completely goes above the top rail clipping the whole signal hence the resulting gate effect.

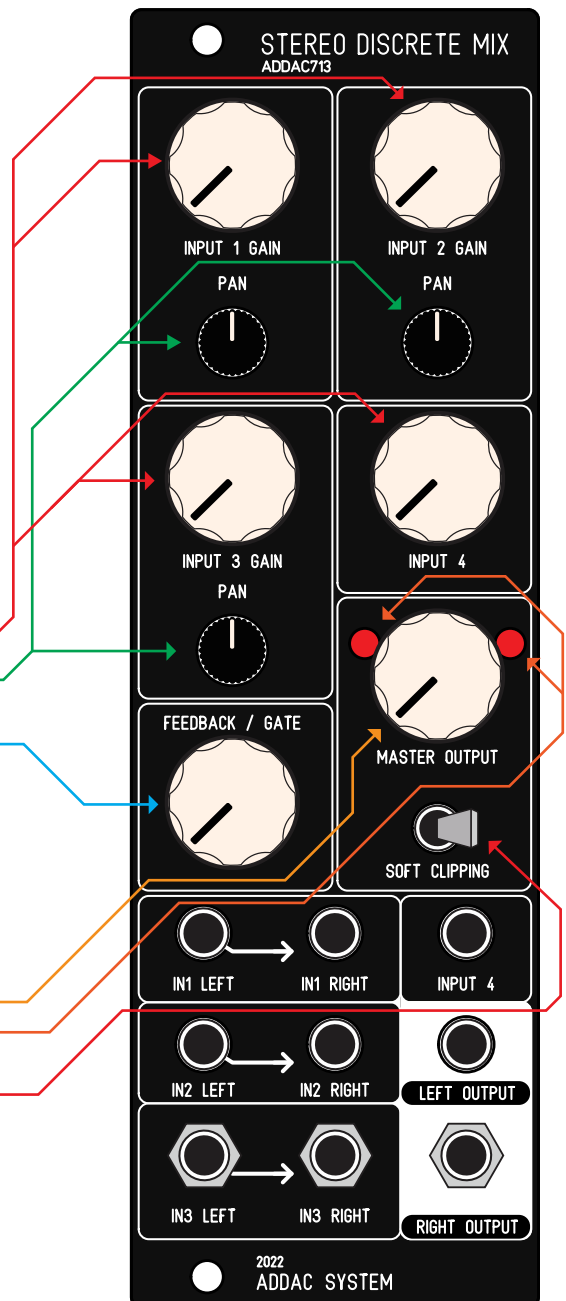
The [MASTER OUTPUT] sets the overall output gain of the mixer, the two leds monitor the audio output signal.

The Soft clipping switch engages an anti-click circuit which adds a low pass before the output, the switch allows 3 states: Soft low pass / Off / Hard low pass

Features:

- .Three channels with stereo inputs, gain and pan knob
- .One channel with mono input and gain knob
- .Feedback/gate knob
- .Master output volume knob
- .Soft clipping switch
- .Two Led Monitors for Left and Right channels

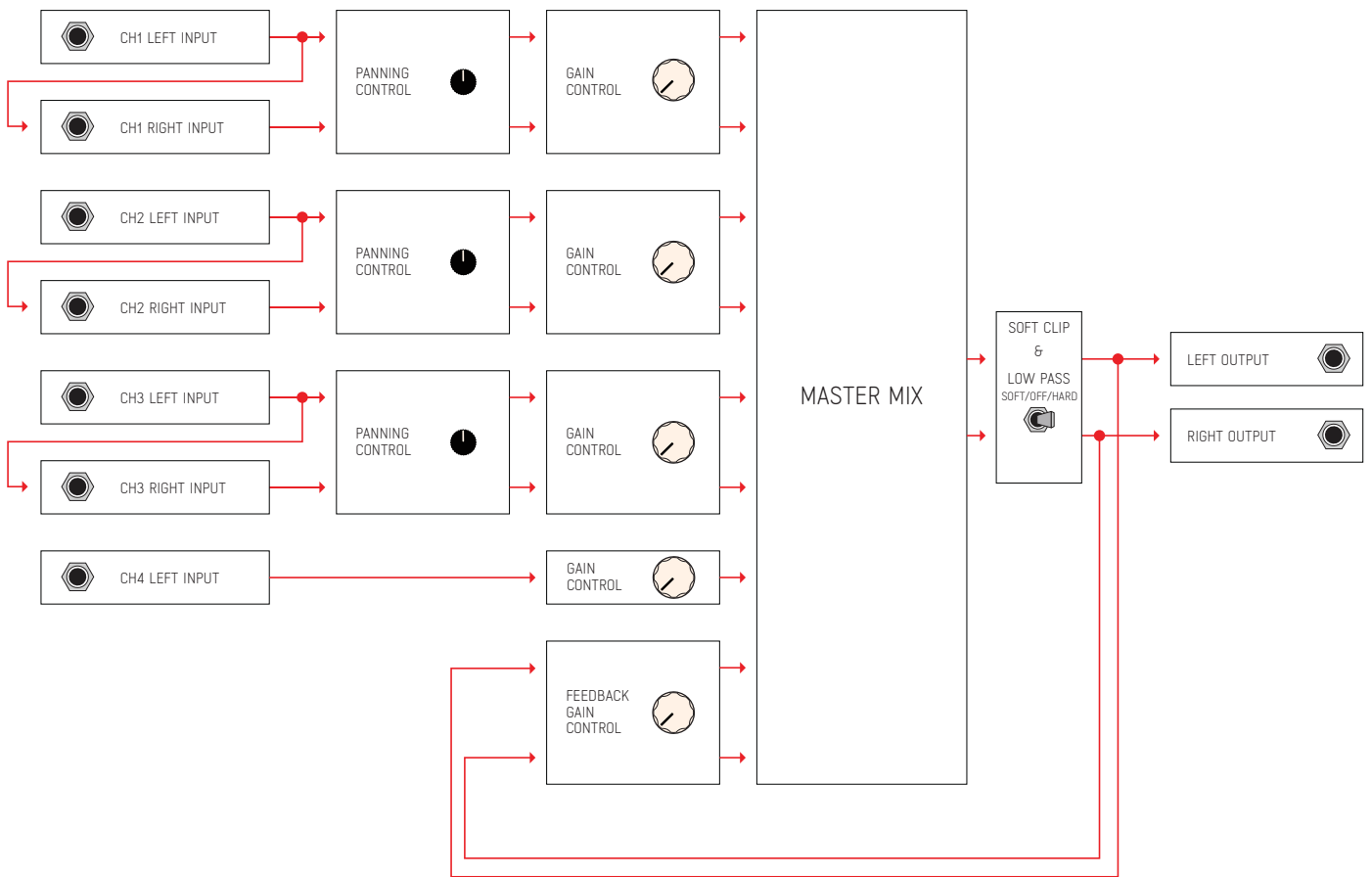
This module will also be available as a full DIY kit.



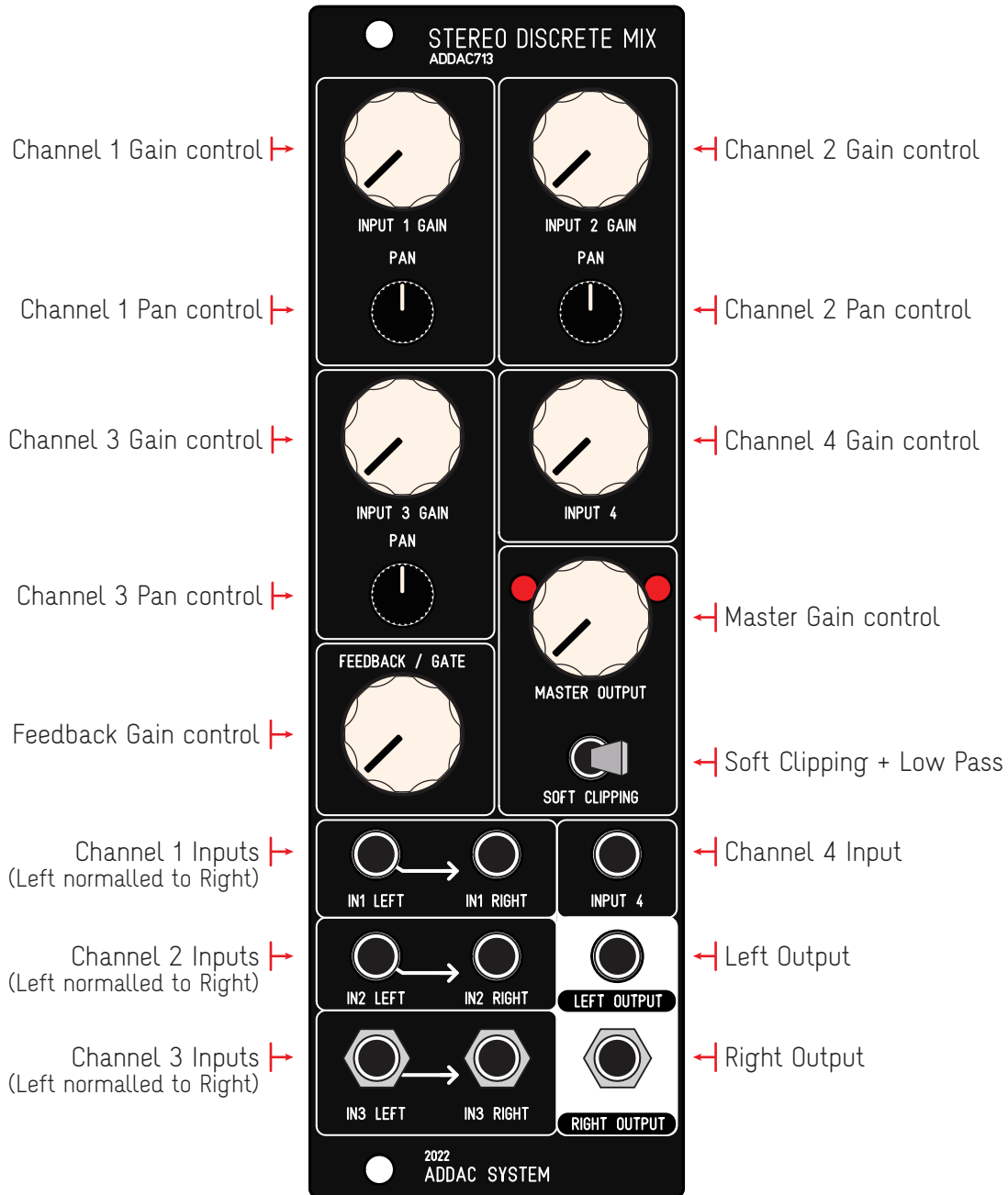
Tech Specs:
8HP
4 cm deep
80mA +12V
80mA -12V

ADDAC713 STEREO DISCRETE MIXER

SIGNAL FLOW DIAGRAM



CONTROLS DESCRIPTION



For feedback, comments or problems please contact us at:
addac@addacsystem.com