



Paul Coupez – CEO

**MERCURA INDUSTRIES IS A SPECIALIZED  
ANODIZED ALUMINIUM MANUFACTURER  
OF HIGH QUALITY MOBILE EQUIPMENT FOR  
THE HOSPITALITY SECTOR.**

**OUR INNOVATIVE TEAM PUTS ITS EXPERTISE  
AT YOUR DISPOSAL TO TAILOR THE OPTIMUM  
SOLUTION TO YOUR SPECIFIC NEEDS.**

**WE OFFER A FULL RANGE OF MANOEUVRABLE,  
ERGONOMIC AND DURABLE PRODUCTS FROM  
THE FRONT TO THE BACK OF THE HOUSE.**



Mercura Industries s.a.  
Rue Bois des Îles 15  
Eilandenhoutstraat 15  
B-1082 Brussels

Tel: +32 (0)2 482 11 30  
Fax: +32 (0)2 468 18 48  
[www.mercura.com](http://www.mercura.com)  
[info@mercura.com](mailto:info@mercura.com)





7 **LUGGAGE**

21 **HOUSEKEEPING**

49 **MINI-BAR • ROOM SERVICE • CATERING**

71 **HANDLING**













# LUGGAGE



# Palazzo

## SPECIFICATIONS

- Prestigious 'bird-cage' luggage trolley
- In anodised aluminium, robust and light
- Durable anodised gloss finish, tarnishfree, low maintenance, no oxidation
- Available in 2 colours: silver or gold

## OPTION

- Motorized 5th wheel

## OPTION

- Polished disk with personalised custom logo



- Hanging rail for garment bags

- Round tube frame  
Exceptional durability  
No maintenance

- Round shaped birdcage or  
● Angular shaped birdcage



## OPTION

- Hoop to retain luggage which can also be used as a handle to lift trolley over pavements

- Flexible non-marking full wrap-around bumper to protect interior

- Pneumatic wheels Ø 225 mm for irregular floors or pavements or  
● Rubber wheels easy roll Ø 200 mm for smooth floors



- 2 fixed et 2 swivel wheels

Ref. 1 402 029

- Base covered with deluxe carpet:
  - black
  - brown
  - blue
  - red





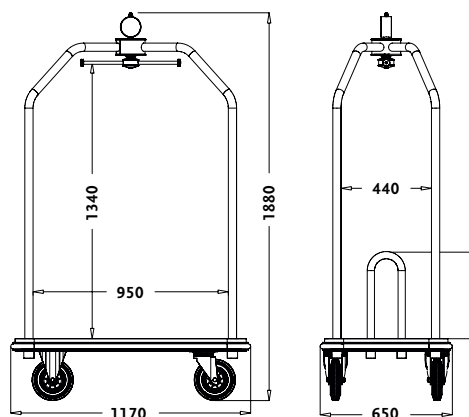
Ref. 1 402 016



Ref. 1 402 022



Ref. 1 402 011



PALAZZIO		SILVER		GOLD	
		Rubber wheels ø 200 mm	Pneumatic wheels ø 225 mm	Rubber wheels ø 200 mm	Pneumatic wheels ø 225 mm
Angular birdcage shape	N°1 standard	1 402 011	1 402 013	1 402 012	1 402 014
	N°2 with retaining handle	1 402 021	1 402 023	1 402 022	1 402 024
Round Birdcage shape	N°1 standard	1 402 016	1 402 018	1 402 017	1 402 019
	N°2 with retaining handle	1 402 026	1 402 028	1 402 027	1 402 029

# Pullman

## SPECIFICATIONS

- High capacity luggage trolley for guest groups
- Solid round tube frame in anodised aluminium with durable satin-like low maintenance finish
- Available in 2 colours: silver or gold
- Platform covered with red, blue or black hard-wearing carpet
- Full wrap-around non-marking bumper to protect interior and walls
- Decorative disks at each end covered with matching carpet. Optional:
  - with letter in standard font
  - or disk with personalised customer logo
- 2 fixed and 2 swivel wheels. Choice of:
  - grey rubber wheels Ø 200 mm for smooth floors
  - or pneumatic wheels Ø 225 mm for uneven floors

## OPTION

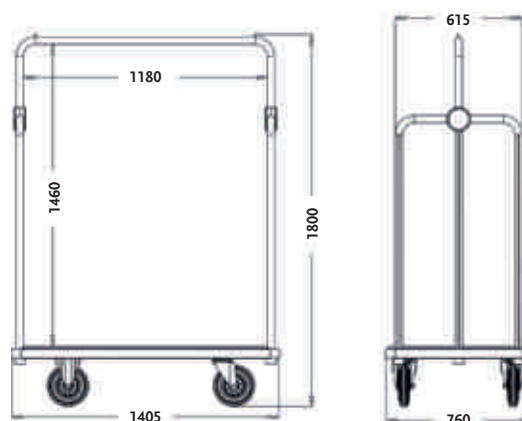
- Upgrade to deluxe thick carpet in different colours



Ref. 1 402 207



Ref. 1 402 203



## PULLMAN

### SILVER

### GOLD

Rubber wheels  
Ø 200 mm

Pneumatic wheels  
Ø 225 mm

Rubber wheels  
Ø 200 mm

Pneumatic wheels  
Ø 225 mm

Ref.

1 402 202

1 402 207

1 402 203

1 402 205





# Sevilla

## SPECIFICATIONS

- Small luggage trolley for individual luggage
- Solid round tube frame in anodised aluminium with durable satin-like low maintenance finish
- Available in 2 colours: silver or gold
- Small garment bag rail
- Platform covered with deluxe carpet: black, brown, blue or red
- Carpet colours available
- Full wrap-around non-marking bumper to protect interior and walls
- Decorative disks at each end covered with matching carpet. Optional:
  - with letter in standard font
  - or disk with personalised customer logo
- 2 fixed and 2 swivel wheels. Choice of:
  - grey rubber wheels Ø 160 mm for smooth floors
  - or pneumatic wheels Ø 225 mm for uneven floors



Ref. 1 402 100



Ref. 1 402 102



SEVILLA	SILVER		GOLD	
	Rubber wheels Ø 160 mm	Pneumatic wheels Ø 225 mm	Rubber wheels Ø 160 mm	Pneumatic wheels Ø 225 mm
Ref.	1 402 100	1 402 103	1 402 101	1 402 102

# Eldorado

## SPECIFICATIONS

- Platform luggage trolley for guest luggage
- Solid tube frame in non anodised aluminium natural silver colour
- Non-marking grey bumpers at each side and on all 4 corners to protect interior and walls
- Platform and side panels covered with red, black or blue hard-wearing carpet
- 2 fixed and 2 swivel wheels. Choice of:
  - grey rubber wheels Ø 200 mm for smooth floors
  - or pneumatic wheels Ø 225 mm for irregular floors

## OPTION

- Gold finish



Ref. 1 402 600

# California

## SPECIFICATIONS

- Porter's hand truck for luggage
- In anodised aluminium with durable satinlike low maintenance finish
- Available in 2 colours: silver or gold
- Platform and back panel covered with red, black or blue hard-wearing carpet
- Garment bag hook
- Choice of wheels:
  - 2 fixed wheels in rubber Ø 200 mm for smooth floors
  - or pneumatic wheels Ø 260 mm for better manoevrability on irregular floors or steps
- Optional 'V' -shaped support legs for horizontal loading

Ref. 1 400 005  
+ 1 354 020

Ref. 1 400 005



Ref. 1 400 004

# Portland

## SPECIFICATIONS

- Mobile coat rail in anodised aluminium
- Durable satin-like finish in 2 colours: silver or gold
- Practical 'V' shaped base offers optimal stability and allows intelligent nesting to minimise storage space
- 4 swivel wheels Ø 100 mm with corner buffers

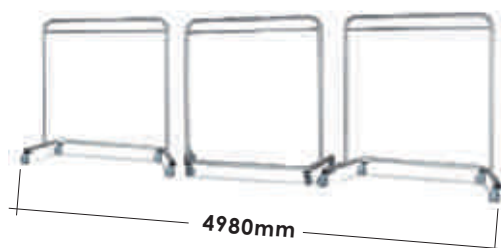
## OPTION

- Top hat shelf

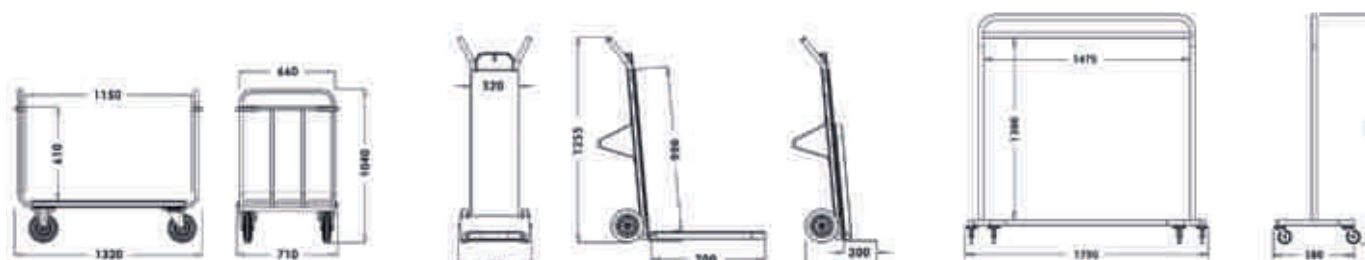


Ref. 1 658 000

Ref. 1 680 000



		SILVER				GOLD			
		Rubber wheels	Ø mm	Pneumatic wheels	Ø mm	Rubber wheels	Ø mm	Pneumatic wheels	Ø mm
<b>ELDORADO</b>	Trolley	1 402 600	200	1 402 601	225	–			
<b>CALIFORNIA</b>	Trolley	1 400 003	200	1 400 004	260	1 400 005	200	1 400 006	260
	Option: 'V' support legs	1 354 024	200	1 354 026	260	1 354 020	200	1 354 022	260
<b>PORTLAND</b>	Coat rail	1 680 000	100	–		1 680 001	100	–	
	Option top hat shelf	1 658 000	100	–		1 658 001	100	–	





# Piccadilly

## TRANSPORT TROLLEY FOR PERSONAL BELONGINGS OR DRY-CLEANING SERVICE

- For the transport of clothes on hangers, luggages, linen, boxes...
- 2 retractable shelves
- Base and top covered with red, blue and black carpet
- 4 swivel wheels Ø 125 mm with circular buffer



### PICADILLY

Overall size (L x W x H)	930 x 540 x 1850 mm
Useful size (L x W x H)	850 x 460 x 1400 mm
Size of shelves (L x W)	350 x 400 mm
Code	1 402 500





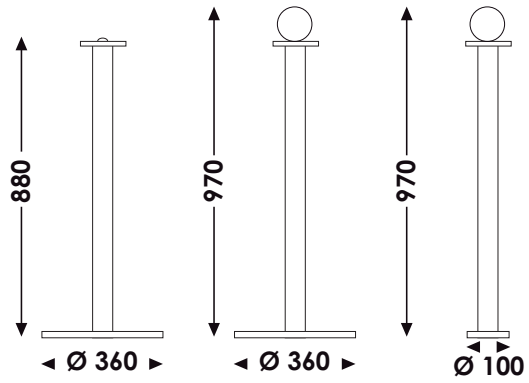
# Cordoba



## SPECIFICATIONS

- For an optimal and elegant organisation of public areas and lobbies
- Stanchions in anodised aluminium, with durable gloss finish, tarnish-free, no daily polishing, no oxidation, low maintenance
- Strong and stable base, weight: 10 Kg, Ø 360 mm fitted with rubber to protect floor
- Universal ring accepting several ropes simultaneously from different directions
- Choice of ropes in velvet with matching gold or silver snap hook



- Wall plate
- Ref. 1 850 300



	Silver 		Gold 	
	1700 mm	3000 mm	1700 mm	3000 mm
<b>Black</b>	1 850 492	1 850 496	1 850 494	1 850 498
<b>Red</b>	1 850 500	1 850 504	1 850 502	1 850 506
<b>Blue</b>	1 850 516	1 850 520	1 850 518	1 850 522
<b>Brown</b>	1 850 508	1 850 512	1 850 510	1 850 514

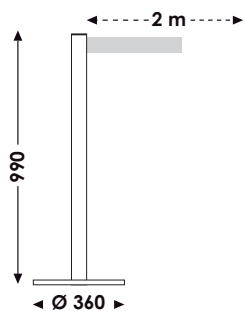




# Vendome

## SPECIFICATIONS

- Crowd control posts with **retractable belt system**
- Posts in anodised aluminium, with durable gloss finish, tarnish-free, no daily polishing, no oxidation, low maintenance
- Strong and stable base, weight: 10 Kg, Ø 360 mm, fitted with rubber to protect floor
- 4 connection points, allowing up to 4 belts to be attached simultaneously from different directions



Ref. 1 800 560

Color	With 1 retractable belt		Without belt
	Blue	Red	
Silver	1 800 560	1 800 563	1 800 570

# Socrate



	Silver	Gold
Board size	605 x 450 mm	605 x 450 mm
Ref.	1 800 550	1 800 555



# Java 8 • 16

## SECURE TRANSPORT AND STORAGE FOR VENDOME AND CORDOBA GUIDING STANCHIONS

### SPECIFICATIONS

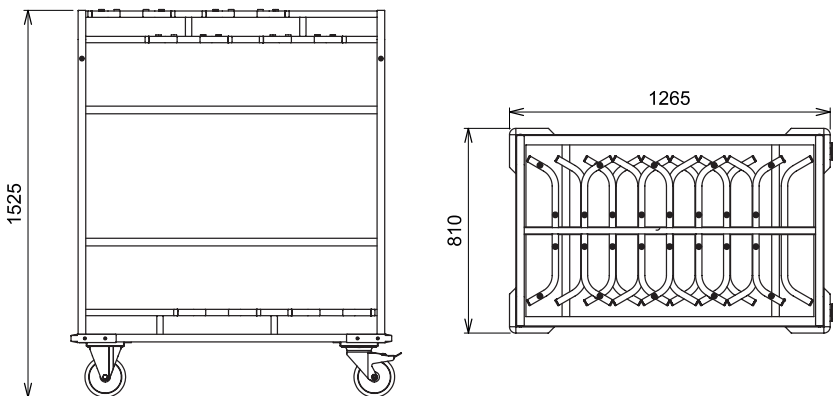
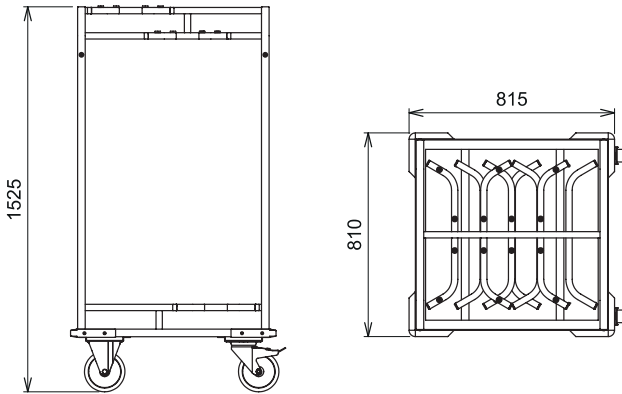
- Trolley in non anodized aluminium
- Available in 2 versions: 8 or 16 posts
- Choice of 2 colors: natural = Silver or lacquered Black (Ref. **1 441 120**)
- 2 fixed + 2 swivel wheels with brake Easy Roll Ø 160mm
- 4 rubber corner bumpers

### OPTIONS

- Personalised logo
  - Decor panels on 2 sides
- Ref. **1 441 130**



Ref. **1 441 118**  
+ **1 441 130**



Ref.

**Java 8**

**1 441 118**

**Java 16**

**1 441 116**



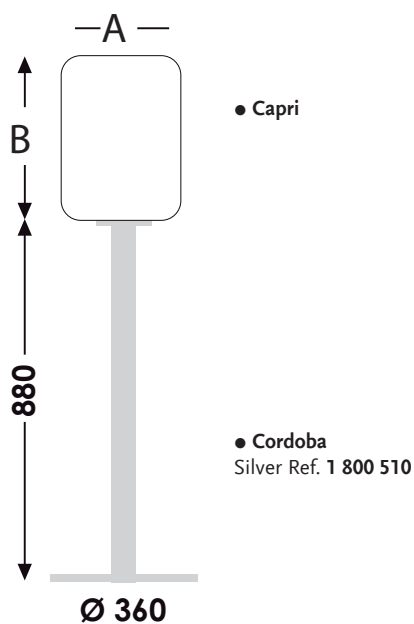
# Capri

## SPECIFICATIONS

- Grooved rubber board for insertion of letters or numbers
- Rear covered with deluxe thick carpet
- Available in silver
- Letters and numbers in gold or white, many sizes
- To be ordered with Cordoba Ref. 1 800 510

## OPTION

- Transparent protection sheet



● Transparent protection sheet

Board	N°1		N°2		N°3	
Size A x B	Horizontal 400 x 300 mm	Vertical 300 x 400 mm	Horizontal 500 x 330 mm	Vertical 330 x 500 mm	Horizontal 600 x 400 mm	Vertical 400 x 600 mm
Silver	1 800 010	1 800 011	1 800 020	1 800 021	1 800 030	1 800 031
Plexiglas	1 850 410	1 850 411	1 850 420	1 850 421	1 850 430	1 850 431

6 → 831  
ESS →

[www.mercura.com](http://www.mercura.com)





# HOUSEKEEPING



# SPACECAR

## FOLDABLE: FOR LIMITED STORAGE SPACE

- All trolleys of the **SPACECAR** range are **foldable** to minimise storage space
- 1 or 2 foldable sack holders with foldable base
- Full wrap-around bumper around main cabinet, 2 revolving circular corner buffers around each sack holder base
- Made of anodised aluminium, ultra-light, solid, hygienic and easy to manoeuvre
- Clean linen cabinet with 2 shelves for 3 storage compartments, choice of 3 storage capacities: 600, 760 or 860 mm cabinet length
- Top of linen cabinet equipped with fixed 'Welcome' tray for toiletries with 5 adjustable compartments or top shelf with 35 mm upstands
- 2 fixed and 2 swivel wheels Ø 160 mm, polyamide or rubber depending on floor covering

## OPTIONS

- 4 swivel wheels
- The sack holders for dirty linen on the **NAPOLI** and **ROSALIA** models can be replaced by a holder for plastic waste bag
- Motorized 5th wheel



## Napoli THE MUST FOR HOUSEKEEPERS

### SPECIFICATIONS

- 1 foldable holder for linen bag 160 L
- 1 foldable holder for plastic bag (perimeter min. 117 cm)
- 2 foldable bases with circular buffers
- Delivered with 1 polyester bag 160 L for soiled linen with 3 Velcro straps



Napoli 760 & Welcome  
Ref. 1 200 103

# Santa Fe

## SPECIFICATIONS

- 2 foldable holders for linen bags 160 L
- 2 foldable bases with circular buffers
- Delivered with 2 polyester bags 160 L for soiled linen with 3 Velcro straps



Santa Fe 600 & Welcome  
Ref. 1 200 111

# Rosalia

## SPECIFICATIONS

- 1 foldable holder for linen bag 160 L
- 1 foldable base with circular buffers
- Delivered with 1 polyester bag 160 L for soiled linen with 3 Velcro straps



Rosalia 860 & Welcome  
Ref. 1 200 125



# ROOMCAR

## FIXED: WHERE THERE IS SUFFICIENT STORAGE SPACE

- Trolleys of the ROOMCAR range have fixed sack holders and fixed bases for customers with no storage problems
- Full wrap-around bumper around the base, extra revolving circular corner buffers available as an option
- Made of anodised aluminium, ultra-light, solid, hygienic and easy to manoeuvre
- Clean linen cabinet with 2 shelves for 3 storage compartments, choice of 3 storage capacities: 600, 760 or 860 mm cabinet length
- Top of linen cabinet equipped with fixed 'Welcome' tray for toiletries with 5 adjustable compartments or top shelf with 35 mm upstands
- 2 fixed and 2 swivel wheels Ø 160 mm, polyamide or rubber depending on floor covering

## OPTIONS

- The sack holders for dirty linen on the NEVADA and RIVIERA models can be replaced by a holder for plastic waste bag
- 4 swivel wheels



Ref. 1 200 011 (black)

# Nevada

## SPECIFICATIONS

- 1 fixed sack holder for linen bag 160 L
- 1 fixed sack holder for plastic bag (perimeter min. 117 cm)
- Delivered with 1 polyester bag 160 L for soiled linen with 2 Velcro straps



Nevada 760 & Welcome  
Ref. 1 200 013

# Sao Paolo

## SPECIFICATIONS

- 2 fixed sack holders for linen bag 160 L
- Delivered with 2 polyester bags 160 L for soiled linen with 2 Velcro straps



Sao Paolo 600 & Welcome  
Ref. 1 200 001

# Riviera

## SPECIFICATIONS

- 1 fixed sack holder for linen bag 160 L
- Delivered with 1 polyester bag 160 L for soiled linen with 2 Velcro straps



Riviera 600 & Welcome  
Ref. 1 200 031

# COMPACT

## Florida

### SPECIFICATIONS

- Compact housekeeping trolley
- Clean linen cabinet in anodised aluminium with 2 shelves for 3 storage compartments
- Choice of 3 storage capacities: 600, 760 or 860 mm cabinet length
- Top of linen cabinet equipped with:
  - 'Welcome' tray for toiletries with 5 adjustable compartments
  - or top shelf with 35 mm upstands
- Steering handle
- Full wrap-around non-marking flexible bumper to protect interior and corridors
- 4 swivel wheels Ø 160 mm in polyamide
- Rubber wheels optional

### OPTIONS FLORIDA & SALLY

- Practical combination with SALLY mobile sack holder for linen bag 160 wL for soiled linen
- Sack holder can be equipped with a hook to enable you to wheel both trolleys together
- Both trolleys can be used combined or separately. Allows separate and hygienic storage of units for dirty and clean linen



Florida 760 & top shelf  
Ref. 1 200 024



Sally + Florida  
Florida 760 & Welcome  
Ref. 1 200 023  
+ Sally Ref. 1 100 011  
(+ mahogany decor panelling optional)



Ref. 1 200 021



# Detroit

## SPECIFICATIONS

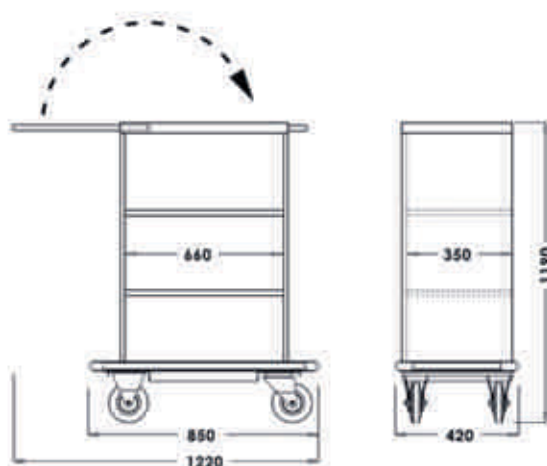
- Extra narrow trolley: only 420 mm wide
- Clean linen cabinet in anodised aluminium 700 mm long x 370 mm wide with 2 shelves for 3 storage compartments
- Top of linen cabinet equipped with top shelf with 35 mm upstands
- Steering handle
- Sack holder for soiled linen bag 820 mm high can be folded down onto the top shelf to reduce storage space
- Full wrap-around non-marking flexible bumper to protect interior and corridors
- 4 swivel rubber wheels Ø 125 mm
- Delivered with 1 polyester linen bag



Ref. 1 200 210  
Shown with sack holder folded

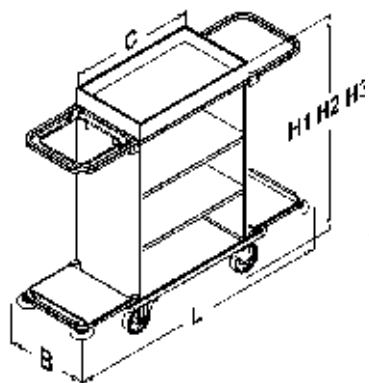


Ref. 1 200 210

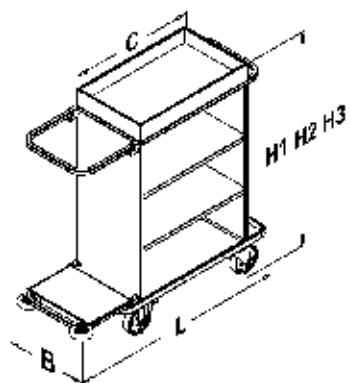


- Sack holder folds down onto top shelf for storage

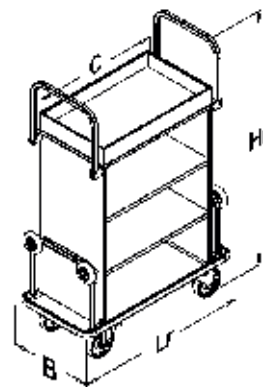
## SPACECAR



NAPOLI



ROSALIA



SANTA FE

## OPTIONS

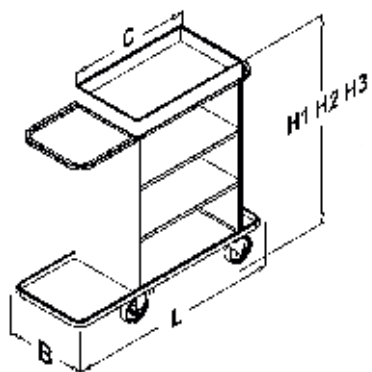
- The sack holders for dirty linen on the NAPOLI and ROSALIA models can be replaced by a holder for plastic waste bag

Size (mm)	C	L	B	H1	H2	H3	Lr	Hr
<b>NAPOLI SANTA FE</b>	<b>600</b>	1470	500	1350	1300	1255	880	1540
	<b>760</b>	1630	500	1350	1300	1255	1040	1540
	<b>860</b>	1730	500	1350	1300	1255	1140	1540
<b>ROSALIA</b>	<b>600</b>	1180	500	1350	1300	1255	880	1540
	<b>760</b>	1340	500	1350	1300	1255	1040	1540
	<b>860</b>	1440	500	1350	1300	1255	1140	1540

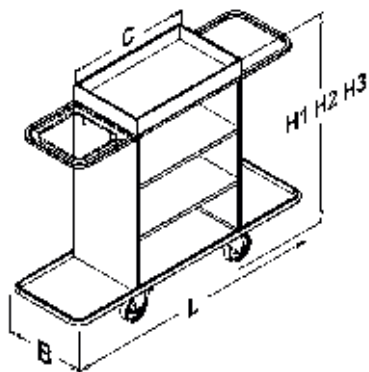
Total height: H1: with Welcome 150, H2: with Welcome 100, H3: with top shelf, Lr: Length folded, Hr: Height folded

SPACECAR		600	760	860
<b>NAPOLI</b>	With Welcome tray	1 200 101	1 200 103	1 200 105
	Top shelf	1 200 102	1 200 104	1 200 106
<b>SANTA FE</b>	With Welcome tray	1 200 111	1 200 113	1 200 115
	Top shelf	1 200 112	1 200 114	1 200 116
<b>ROSALIA</b>	With Welcome tray	1 200 121	1 200 123	1 200 125
	Top shelf	1 200 122	1 200 124	1 200 126

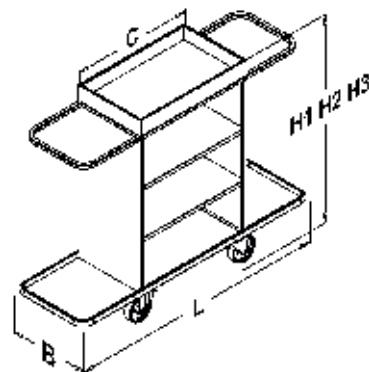
# ROOMCAR



**RIVIERA**



**NEVADA**



**SAO PAOLO**

## OPTIONS

- The sack holders for dirty linen on the NEVADA and RIVIERA models can be replaced by a holder for plastic waste bag

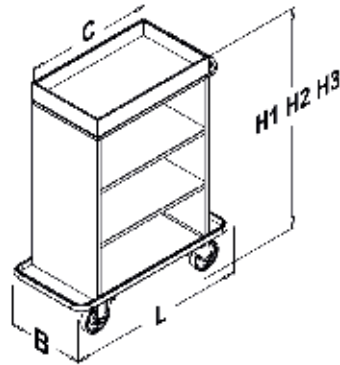
Size (mm)	C	L	B	H1	H2	H3
<b>RIVIERA</b>	<b>600</b>	1155	500	1350	1300	1255
	<b>760</b>	1315	500	1350	1300	1255
	<b>860</b>	1415	500	1350	1300	1255
<b>NEVADA SAO PAOLO</b>	<b>600</b>	1470	500	1350	1300	1255
	<b>760</b>	1630	500	1350	1300	1255
	<b>860</b>	1730	500	1350	1300	1255

Total height: H1: with Welcome 150, H2: with Welcome 100, H3: with top shelf, Lr: Length folded, Hr: Height folded

ROOMCAR		600	760	860
<b>NEVADA</b>	With Welcome tray	1 200 011	1 200 013	1 200 015
	Top shelf	1 200 012	1 200 014	1 200 016
<b>SAO PAOLO</b>	With Welcome tray	1 200 001	1 200 003	1 200 005
	Top shelf	1 200 002	1 200 004	1 200 006
<b>RIVIERA</b>	With Welcome tray	1 200 031	1 200 033	1 200 035
	Top shelf	1 200 032	1 200 034	1 200 036



# COMPACT



**FLORIDA**

Size (mm)	C	L	B	H <sub>1</sub>	H <sub>2</sub>	H <sub>3</sub>
<b>FLORIDA</b>	<b>600</b>	800	500	1350	1300	1255
	<b>760</b>	960	500	1350	1300	1255
	<b>860</b>	1060	500	1350	1300	1255
<b>SALLY</b>		520	500	1180	1180	1180

Total height: H1: with Welcome 150, H2: with Welcome 100, H3: with top shelf

		<b>600</b>	<b>760</b>	<b>860</b>
<b>FLORIDA</b>	With Welcome tray	1 200 021	1 200 023	1 200 025
	With top shelf	1 200 022	1 200 024	1 200 026
<b>SALLY</b>	Trolley	1 100 011	1 100 011	1 100 011

		Ref.
<b>DETROIT</b>	Trolley	1 200 210
	Additional polyester bag for Detroit	1 150 220

# Accessories Roomcar, Spacecar & Compact

## Lido



- Lid for Welcome tray, to safeguard contents
- Depth: 50 mm
- Lock on request

## Papyrus for Lido



- 6 fixed compartments fitted in the 'Lido' lid for organised storage of paper items

## Tyrol



- Drawer on telescopic rails with 3 adhesive adjustable dividers
- 2 heights available: 40 mm for paper stationary of 100 mm for toiletries

Useful height for guest items	LIDO	LIDO & PAPHYRUS
Welcome 100 mm	145 mm	100 mm
Welcome 150 mm	195 mm	150 mm

Useful height for guest items	LIDO	PAPHYRUS	TYROL 40	TYROL 100
600	1 250 020	1 250 031	1 250 010	1 250 014
760	1 250 021	1 250 032	1 250 011	1 250 015
860	1 250 022	1 250 035	1 250 012	1 250 016

## Lid



- Lid in anodised aluminium for plastic or polyester linen sack holder
- Reduces unpleasant odours and offers additional hygiene

Lid for <b>plastic</b> sack holder	1 250 005
Lid or <b>polyester</b> sack holder	1 250 006

## MTS System



- For selective waste sorting: holder for 2 plastic bags with minimum perimeter 95 cm
- Lid optional
- Can be combined with Picbox for additional waste sorting

MTS Spacecar (foldable)	1 250 000
MTS Roomcar (unfoldable)	1 250 001
Lid for MTS	1 250 006

## Picbox



- Plastic container
- Fits on the base of Spacecar and Roomcar
- Stackable
- Design and color may vary subject to stock availability

Picbox	1 250 303
Overall size (L x W x H) mm	465 x 410 x 265

# Accessories Roomcar, Spacecar & Compact

## Guest amenities

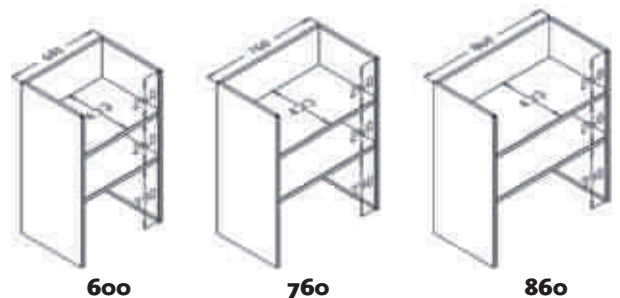


- **WELCOME:** practical sorter with 5 adjustable compartments for organising guest amenities or stationary
- Standard height: 100 mm
- Optional height: 150 mm



- Top **shelf** in high-quality robust grey Volkern
- Equipped with 35 mm upstands to prevent objects from falling down

## Clean linen cabinet



- Cabinet for clean linen entirely made of anodised aluminium
- Hygienic
- 2 shelves for 3 storage levels
- Choice of 3 sizes according to number of rooms and service level: 600, 760 of 860 mm long
- Doors optional

## Hooks



- Broom clip



- Aluminium Hook

## Sack holders

- Robust sack holders, either **fixed** or **foldable**, depending on your needs and storage space availability
- Holders for 2 types of bags: linen or plastic
- Can be equipped with optional lid to prevent unpleasant odours



- Linen bags for soiled linen
- High-capacity 160 L bag, 3 Velcro straps, closed with string and clip fastener
- In washable polyester

## Bumpers and wheels

- Choice of **Ø 160 mm wheels** depending on floor covering for optimal manoeuvrability:
  - **polyamide** wheels for carpet floor covering
  - or **rubber** wheels for smooth surfaces such as marble



- **Full wrap-around bumper** around fixed base
- Flexible, durable, non-marking
- To protect furniture, walls and doors
- Standard on all housekeeping trolley



- In addition, all foldable bases (SPACECAR) are equipped standard with **circular revolving corner buffers** on the foldable base
- Optional for fixed trolleys



- Holder for plastic garbage bags
- For any kind of plastic bag with minimum 117 cm perimeter
- Shown with optional lid





# Accessories Roomcar, Spacecar & Compact

## Pick-up



● Removable sack holder for plastic bags (minimum 117 cm perimeter)



● With or without lid



<b>PICK-UP 2000</b>	Without lid	1 250 042
	With lid	1 250 045

## Decors

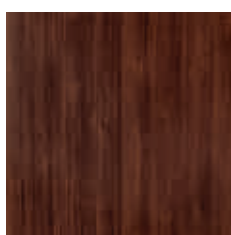
- Possibility to decorate your trolley with long-lasting decor panelling. Choice of 5 colours. Please contact us for more information and order reference codes.



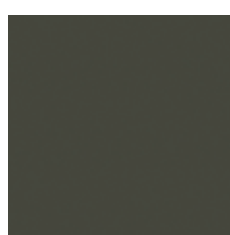
Ceruse Oak



Mahogany



Wenge



Grey



Black

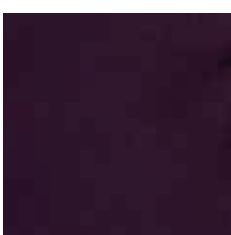
## Bag colors for housekeeping trolleys



Black



Dark Blue



Burgundy



Beige

- Design and color may vary subject to stock availability.



# Fronsac

## SPECIFICATIONS

- Ultra-compact trolley. Fits in the most confined spaces such as small elevators, narrow corridors
- Sack holder for soiled linen folds around the trolley to allow storage in small areas
- Clean linen cabinet in anodised aluminium with 2 shelves for 3 storage compartments
- Top shelf with dividers allowing 5 adjustable compartments for amenities and stationary
- Steering handle
- Delivered with 1 linen bag in washable polyester with Velcro fastening

## OPTIONS

- With doors
- Decor panels

## FRONSAC 125

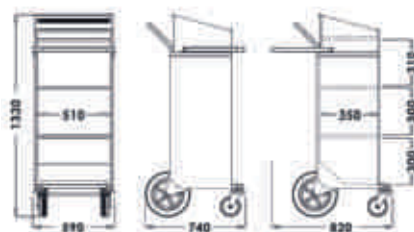
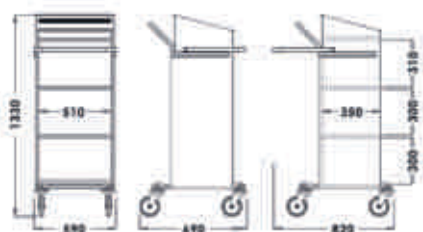
- 4 swivel rubber wheels Ø 125 mm with revolving circular buffers

## FRONSAC 300

- 2 swivel rubber wheels Ø 125 mm with revolving circular buffers
- 2 large wheels Ø 300 mm to easily mount steps



- Sack holder folds around the trolley for storage



## FRONSAC

Ref.

125

Trolley

1 200 220

300

Trolley

1 200 221



# Panama

## A BIG VOLUME FOR SMALL SPACES

- Fully foldable trolley for limited storage spaces
- Easy and very fast folding
- Foldable sack-holder for 1 x 160L polyester linen bag and 1 x 60L plastic bag
- 1 foldable shelf underneath the bags
- 3 foldable shelves for linen
- 6 x 100 mm diameter rubber wheels with circular corner buffers
- Decor panels:
  - ceruse oak
  - mahogany
  - wenge
  - grey
  - black

## OPTIONS

- Plastic picbox container
- Wheels with brakes



Ref. 1 209 150



## PANAMA

### Folded

### Unfolded

Length	600 mm	1020 mm
Width	300 mm	660 mm
Height	1780 mm	1590 mm

### Dimensions of the linen shelves

Length	535 mm
Width	480 mm
Space between the shelves	500 mm



# Megeve

## TRANSPORT TROLLEY FOR CLEAN LINEN

- Sturdy construction made of anodised aluminium: light-weight, highly manoeuvrable, hygienic
- Smooth surfaces: easy to clean and to disinfect
- 2 shelves in anodised aluminium for 3 levels
- Full wrap-around non-marking bumper
- Steering handle for optimal manoeuvrability
- 2 fixed et 2 swivel rubber non-marking wheels Ø 160 mm
- Available in 2 sizes
- **3 versions:** open front – with canvas – with doors

## OPTIONS

- Brakes on 2 swivel wheels
  - Pneumatic wheels Ø 225 mm
  - Lock on doors
- Canvas color may vary subject to stock availability



Ref. 1 210 220



Ref. 1 210 221



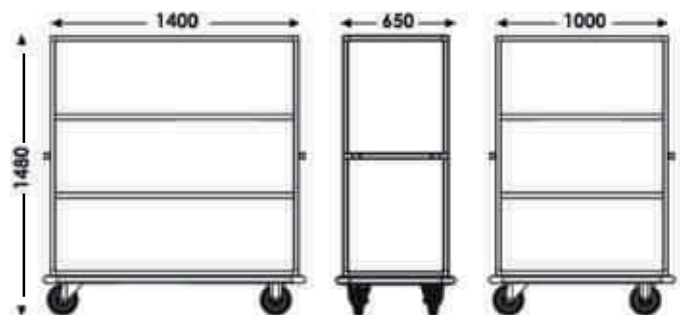
Ref. 1 210 222



- Canvas to protect clean linen, secured by Velcro strip



- Steering handle for better manoeuvrability



- Large

- Small

# Stardress

## MOBILE SHELF FOR TRANSPORT OF CLEAN LINEN

- Sturdy construction made of anodised aluminium: light-weight, highly manoeuvrable, hygienic
- Upstands on 2 sides
- 4 swivel non-marking wheels Ø 125 mm with circular buffer
- 3, 4 or 5 shelves in anodised aluminium
- Open or closed version with or without doors
- **6 versions:** open – closed on 2 sides – closed on 2 sides + top – closed on 2 sides + back – closed on 2 sides + top + back – with doors

## OPTIONS

- 3rd upstand
- Removable rail for hangers
- Brakes on 2 swivel wheels
- Handle



Ref. 1 210 770



Ref. 1 210 752



Ref. 1 210 702



- Upstands on 2 sides



- Upstands on 3 sides
- Ref. 1 210 610 x number of shelves

## OPTION

- Removable rail for hangers
- Ref. 1 210 690



MEGEVE	Small	Large
Overall size (L x W x H)	1000 X 650 x 1480 mm	1400 x 650 x 1480 mm
Useful size (L x W x H)	850 x 550 x 1200 mm	1250 x 550 x 1200 mm
Distance between shelves	380 mm	380 mm
Open model	1 210 220	1 210 230
Model with canvas	1 210 221	1 210 231
Model with doors	1 210 222	1 210 232

STARDRESS	Small			Large		
Useful size (L x W) mm	850 x 550			1250 x 550		
Overall size (L x W x H) mm	970 x 620 x 1585			1370 x 620 x 1585		
Number of shelves	3	4	5	3	4	5
Distance between shelves (mm)	420	300	230	420	300	230
Open model	1 210 700	1 210 714	1 210 728	1 210 742	1 210 756	1 210 770
Closed on 2 sides (1)	1 210 702	1 210 716	1 210 730	1 210 744	1 210 758	1 210 772
(1) + back	1 210 704	1 210 718	1 210 732	1 210 746	1 210 760	1 210 774
(1) + back + top	1 210 708	1 210 722	1 210 736	1 210 750	1 210 764	1 210 778
(1) + back + top + doors	1 210 710	1 210 724	1 210 738	1 210 752	1 210 766	1 210 780

# Rollbox

## TRANSPORT TROLLEY FOR LINEN TRANSPORT

- Structure in electrolytic galvanized steel and walls hooked together
- 3 walls, open on the front side with 2 tight belts
- External size: 800 x 700 x 1800 mm
- 4 swivel wheels Ø 100 mm





# Vesuve

## MOBILE TROLLEY FOR SOILED LINEN

- Mobile large capacity soiled linen bulk trolley
- Strong welded frame
- Entirely made of anodised aluminium: robust, lightweight, hygienic and easy to handle
- Solid heavy-duty base platform in anodised aluminium to support heavy loaded bag
- Large capacity 300 L bag in washable highquality polyester, grey-salmon color, fixed by arge velcro strips
- 4 Swivel non-marking wheels Ø 100 mm with circular buffer, brakes optional
- Delivered with 300 L bag assembled, ready to use



Ref. 1 100 100

# Sally & Sally Dopio

## MOBILE SACK HOLDER FOR SOILED LINEN

- Sack holder for 1 (Sally) or 2 (Sally Dopio) bags in polyester 160 L for soiled linen
- Entirely made of anodised aluminium: robust, lightweight, hygienic and easy to handle
- 4 Swivel non-marking wheels Ø 100 mm with circular buffer, brakes optional
- Capacity of bags: 160 L or 2 x 160 L
- Delivered with bag(s) assembled, ready to use

Sally  
Ref. 1 100 010Sally Dopio  
Ref. 1 100 012

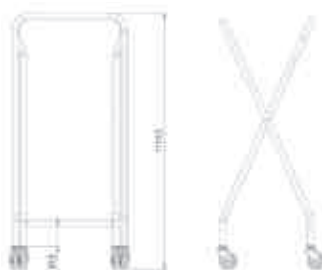
# Foldable Vesuve & Sally

## FOLDABLE MOBILE SACK HOLDER FOR SOILED LINEN

- Foldable structure for Sally (160L) or Vesuve (300L)
- Entirely made of anodized aluminium: robust lightweight, hygienic and easy to handle
- 4 swivel non-marking wheels 100mm, brakes optional
- Delivered with bag(s) assembled, ready to use



Ref. 1 100 150



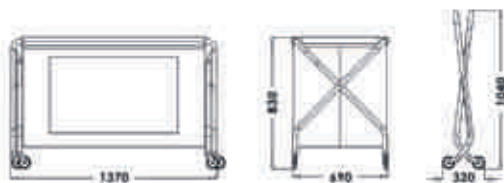
		CODE	Overall size (L x W x H)
<b>SALLY</b> 160 L (without hook*)	Trolley (bag included)	1 100 010	520 x 500 x 1180 mm
	Polyester bag 160 L grey-salmon for Sally	1 250 102	
<b>SALLY DOPIO</b> 2 x 160 L	Trolley (polyester bags included)	1 100 012	840 x 570 x 1300 mm
	Polyester bag 160 L grey-salmon for Sally	1 250 102	
<b>VESUVE</b>	Trolley including polyester bag 300 L	1 100 100	1025 x 675 x 895 mm
	Additional polyester bag 300 L grey-salmon	1 150 100	
<b>FOLDABLE SALLY</b>	Trolley (bag included)	1 100 050	518 x 439 x 1117 mm
<b>FOLDABLE VESUVE</b>	Trolley (bag included)	1 100 150	950 x 600 x 875 mm

\* The SALLY trolley is also available with hook to attach to the Florida housekeeping trolley (see Florida)

# Baby Dream

## SPECIFICATIONS

- Foldable mobile baby cot
- Frame in anodised aluminium, light and robust
- Removable and washable cover
- Washable mattress cover
- Large window on both sides for permanent visual contact with baby
- 4 swivel wheels Ø 75 mm, 2 with brake
- Excellent stability when folded
- Delivered ready to use complete with cover and mattress



Ref. 1 500 001

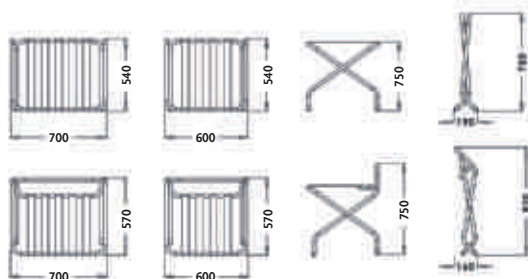
## BABY DREAM

Complete bed including mattress & cover	1 500 001
Additional mattress (1200 x 600 x 80 mm)	1 550 003
Additional cover	1 550 004

# Valette

## SPECIFICATIONS

- Luggage rack in anodised aluminium
- Foldable, ultra-light
- Strong hard-wearing straps
- Available in 2 versions:
  - Silver colour frame with black straps
  - Gold colour frame with black straps
- With or without back-rail for wall protection
- Available in 2 sizes



Ref. 1 700 002



Ref. 1 700 004



Ref. 1 700 003



Ref. 1 700 005

## VALETTE

### SILVER

### GOLD

### STRAPS

### STANDARD

Without back rail

1 700 000

1 700 002

5

With back rail

1 700 001

1 700 003

### JUNIOR

Without back rail

1 700 004

1 700 006

4

With back rail

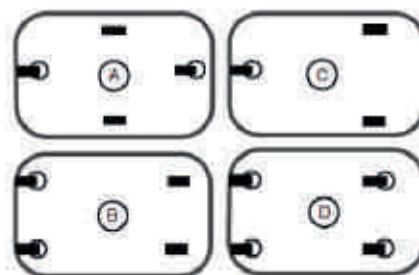
1 700 005

1 700 007



# Cortona

- Trolley with mobile bottom which can be automatically raised/lowered depending on weight load
- Made of anodized aluminum: robust lightweight, hygienic and easy to handle
- 4 swivel wheels 125 mm
- Central Spring
- Full wrap-around bumper
- External size: 1030 x 630 x 800 mm
- Volume: 340 L
- Spring resistance: 45 kg



## CORTONA

Overall size (L x W x H)	1030 x 630 x 800 mm
Useful size (L x W x H)	1000 x 600 x 560 mm
Code	1 244 010

# Barbade

## MULTI-PURPOSE CONTAINER TROLLEY

- Can be used for transport of soiled or wet linen, or various types of waste
- Not suitable for transport of liquid
- Quality moulded in polyethylene
- Easy to clean and disinfect
- 2 fixed and 2 swivel wheels in polyamide
- Option: lid



BARBADE	135 L	227 L	340 L	450 L
Overall size (L x W x H)	660 x 435 x 660 mm	900 x 660 x 600 mm	1000 x 690 x 715 mm	1330 x 700 x 715 mm
Wheels Ø	65 mm	100 mm	100 mm	100 mm
Code trolley	1 243 813	1 243 822	1 243 834	1 243 845
Code lid	1 254 813	1 254 822	1 254 834	1 254 845



# Osaka

## MOBILE SACK HOLDER FOR ANY KIND OF BAG FOR SELECTIVE COLLECTION OF SOILED LINEN AND WASTE

### FEATURES

- Completely in anodised aluminium
- Base platform in anodised aluminium
- 4 swivel wheels Ø 75 mm with circular buffer
- Exists in 4 versions: mono, double, triple or quadruple
- Exists in 3 sizes: 50 L, 60 L or 110 L
- Bags not included

### OPTIONS

- Lids operated with or without pedals
- Large selection of polyester and plastic bags
- Easy roll wheels
- Wheels with brake
- Shock absorber
- Colored lid (green, yellow, blue, red)



Osaka Double 60 L  
Ref. 1 181 032



Osaka Triple 110 L  
Ref. 1 181 045



Osaka Mono 110 L  
Ref. 1 181 013



Osaka Quadruple 60 L  
Ref. 1 181 053  
+ colored lids



Osaka Mono 60 L  
Ref. 1 181 011

OSAKA	Type	Overall size L x W* x H	Wheels Ø mm	Code	Lid	Lids and pedals
<b>MONO</b>	Mono 50 L	350 x 475* x 870 mm	75	1 181 010	1 181 020	1 181 030
	Mono 60 L	400 x 530* x 870 mm	75	1 181 011	1 181 021	1 181 031
	Mono 110 L	500 x 530* x 870 mm	75	1 181 013	1 181 023	1 181 033
<b>DOUBLE</b>	Double 60 L	700 x 530* x 870 mm	75	1 181 012	1 181 022	1 181 032
	Double 110 L	900 x 530* x 870 mm	75	1 181 067	1 181 068	1 181 069
<b>TRIPLE</b>	Triple 60 L	1000 x 530* x 870 mm	75	1 181 041	1 181 042	1 181 043
	Triple 110 L	1300 x 530* x 870 mm	75	1 181 045	1 181 046	1 181 047
<b>QUADRUPLE</b>	Quadruple 60 L (square)	700 x 1025* x 870 mm	75	1 181 026	1 181 027	1 181 028
	Quadruple 60 L (in line)	1300 x 530* x 870 mm	75	1 181 051	1 181 052	1 181 053
	Quadruple 110 L (square)	900 x 1025* x 870 mm	75	1 181 059	1 181 060	1 181 061
<b>OPTION</b>	Locking pedal					1 181 103

\* Overall dimension shown for trolleys without pedals. Please add 20 mm extra width for pedals



#### LINEN BAGS IN POLYESTER

- Striped bags in washable polyester, with nylon string and fix-lock system



- Holder ring in stainless steel instead of rubber for total hygiene.
- The heavier the load, the better it holds.

COLOUR	60 L	120 L
Blue-white	1 158 811	1 158 821
Yellow-white	1 158 812	1 158 822
Green-white	1 158 813	1 158 823
Red-White	1 158 814	1 158 824



**CLEANING TROLLEY IN ANODISED ALUMINIUM**

- Solid base platform in Volkern for heavy loaded bags
- 2 removable shelves in Volkern for storage of cleaning products and accessories
- Holder frame for 60 L plastic bag
- Holding platform for buckets or vacuum cleaner
- 4 swivel wheels Ø 100 mm with circular buffer to protect walls and trolley
- Delivered assembled, accessories not included
- Many accessories to choose



Courchevel 04  
Ref. 1 230 004

Courchevel 15  
Ref. 1 230 015

# Courchevel

# Aqua 02 & 04



Aqua 04  
Ref. 1 230 204



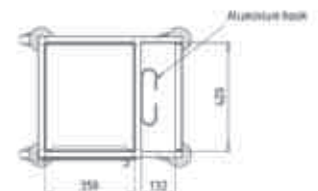
Aqua 02  
Ref. 1 230 202

# Aqua 06

- Solid base platform in HPL
- 2 removable shelves in HPL for storage of cleaning products & accessories
- Cleaning products reachable from front door and top lid
- Holding platform for broom or vacuum cleaner
- 4 x Ø100mm swivel wheels with circular buffer



Aqua 06  
Ref. 1 230 206



	COURCHEVEL			AQUA	
Type	04	15	02	04	06
Overall size	1045 x 610 x 1000 mm	1045 x 610 x 1000 mm	700 x 455 x 1067 mm	700 x 930 x 1067 mm	630 x 540 x 1100 mm
Sack holders	60 L	60 L	–	60 L	–
Code	1 230 004	1 230 015	1 230 202	1 230 204	1 230 206
Lid	1 253 010	1 253 010	–	included	included



- Courchevel 15
- Support for mop wringer



- Hook for mop handle

WAP	SWING
1 253 038	Complete
	1 253 031



- Wap





- Swing



- Buckets 6 L / 15 L



- Mop wringer
- Ref. 1 253 001

BUCKETS	Code
	6 L 1 253 022
	15 L 1 253 026
	6 L 1 253 021
	15 L 1 253 025





www.mercura.com







# MINI-BAR ROOM SERVICE CATERING

**MINI-BAR RESTOCKING SERVICE TROLLEYS**

The OASIS mini-bar service trolley is made 'à la carte'. The interior fitting can be customised to meet your specific requirements.

**COMMON SPECIFICATIONS**

- Trolley in anodised aluminium, ultra-light and solid
- Side panels and doors in anodised aluminium
- Back panel and top tablet covered with durable Volkern
- Top tray with 25 mm high upstands
- Lock, located on top tray and protected against bumps
- Steering handle
- 40 mm clearance between runners, allowing total flexibility in the organisation of trays and shelves
- Full wrap-around non-marking bumper
- 2 swivel wheels and 2 fixed wheels

**POSSIBLE INTERIOR FITTINGS**

- Drawers with a useful height of 80 mm on telescopic rails
- Shelves mounted on telescopic rails
- Oasis 335 can be equipped with Euronorm grids or aluminium trays with 20 mm upstand
- Oasis 336 can be equipped with Gastronorm 2/1 grids or aluminium trays with 20 mm upstand

**OTHER APPLICATIONS**

- The OASIS can also be used for secured transport or storage of:
- Conference equipment
  - Confidential documents
  - Cold meals

# Oasis 370

**EASY TO HANDLE AND GOOD LOAD CAPACITY**



Ref. 1 480 104  
(excl. drawers)



● Central lock on top shelf



● Doors can fold wide open and are secured with magnets



● Steering handle



# Oasis 335

**COMPATIBLE WITH EURONORM FORMAT ACCESSORIES**

- 370 x 530 mm



Ref. 1 480 102  
(excl. drawers, shelves & grids)

# Oasis 333

**LARGE CAPACITY TROLLEY**



Ref. 1 480 101  
(excl. drawers & shelf)

# Oasis 336

**COMPATIBLE WITH GASTRONORM 2/1 FORMAT**

- 2 X (325 x 530) mm



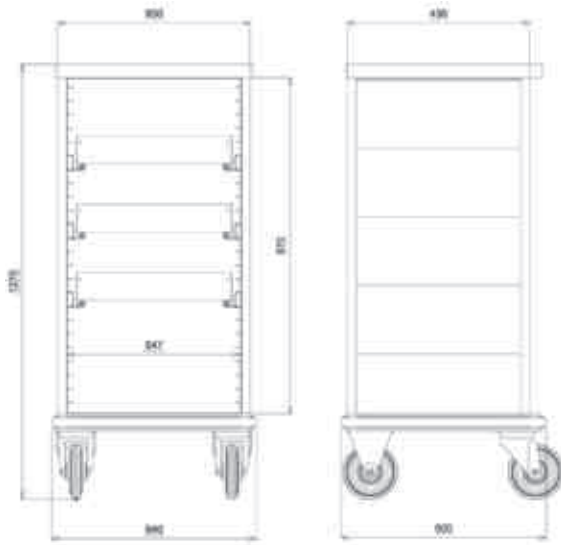
Ref. 1 480 103  
(excl. drawers & tray)



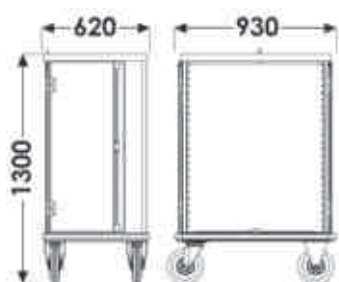
# Oasis mini



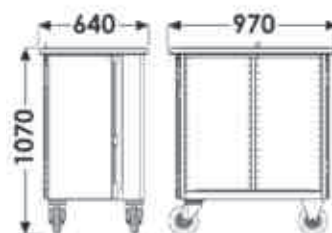
Ref. 1 480 109  
(excl. drawers and decor)



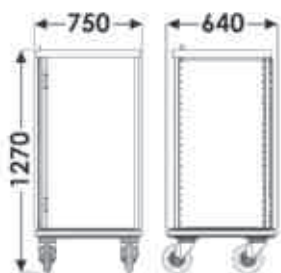
OASIS	Mini	370	335	336	333
Useful sizes (L x W x H) mm	600 x 430 x 970	770 x 530 x 970	2 x (370 x 530 x 770) Euronorm	530 x 650 x 970 Gastronorm 2/1	970 x 530 x 970
Useful sizes drawers (L x W x H) mm	547 x 400 x 80	720 x 500 x 80	320 x 500 x 80	470 x 620 x 80	920 x 500 x 80
Wheels Ø	160 mm	160 mm	160 mm	160 mm	200 mm
Ref. Trolley without interior fitting	1 480 109	1 480 104	1 480 102	1 480 103	1 480 101
Ref. shelf on telescopic rails	1 458 005	1 458 004	1 458 002	1 458 003	1 458 001
Ref. drawer on telescopic rails	1 458 106	1 458 104	1 458 102	1 458 103	1 458 101



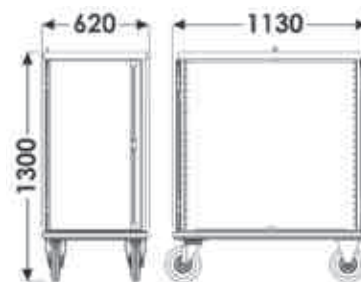
● Oasis 370



● Oasis 335



● Oasis 336



● Oasis 333

## Decors

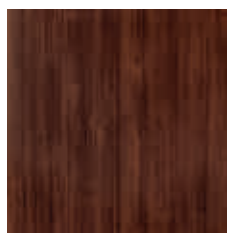
- Possibility to decorate your trolley with long-lasting decor panelling
- Choice of 5 colours
- Please contact us for more information and order reference codes



Mahogany



Ceruse Oak



Wenge



Black



Grey

- ColorS may vary subject to stock availability

# Robinson

## SPECIFICATIONS

- Room service table
- Round ultra-resistant table top with oven-cooked epoxy coating
- Base in anodised aluminium
- Tabletop with pivot system for nesting during storage
- 4 swivel wheels Ø 100 mm with circular buffer, 2 with brakes



Ref. 1 820 001



- Rounded edges

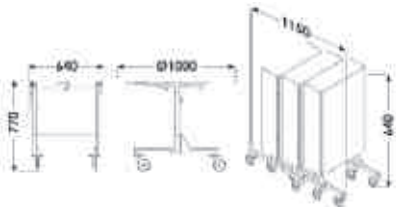
# Quebec

## SPECIFICATIONS

- Same specifications as for Robinson table
- Square tabletop



Ref. 1 820 051



# Fuego

## SPECIFICATIONS

- Hot box in stainless steel with inside panels in aluminium
- Built-in thermostat to keep the temperature at the optimum level
- For 220V connection
- Top carrying handle
- Attachable to Robinson/Quebec tables

## OPTIONAL

- L fixing support for Robinson and Quebec
- Ref. 1 752 070



- Standard: 3 fixed shelves, for 4 levels with 110 mm clearance
- Ref. 1 720 101



- Hot box Fuego in option

## FUEGO

Overall dimensions (D x W x H)

410 x 370 x 530 mm

Useful dimensions (D x W x H)

390 x 330 x 330 mm





# Dinastar

## SPECIFICATIONS

- Multi-purpose clearing trolley, frame in anodized aluminium
- 2 or 3 removable shelves in durable Volkern panels (choice of 4 colours)
- 15 mm upstand on 4 sides
- 4 x Ø 100mm swivel wheels with circular buffers

## OPTIONS

- Bacbis 170 or 570 (p. 65)
- Starbox: box in anodised aluminium (p. 65)
- Wheels with brake



Dinastar 2 Small Blue  
Ref. 1 220 404



Dinastar 3 Small Blue  
Ref. 1 220 414



● Removable shelf for easy cleaning



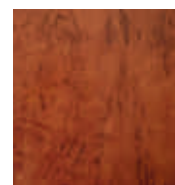
● 15 mm upstands to prevent objects from falling



Grey

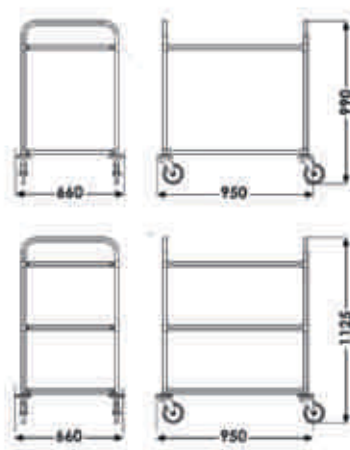


Lavender blue

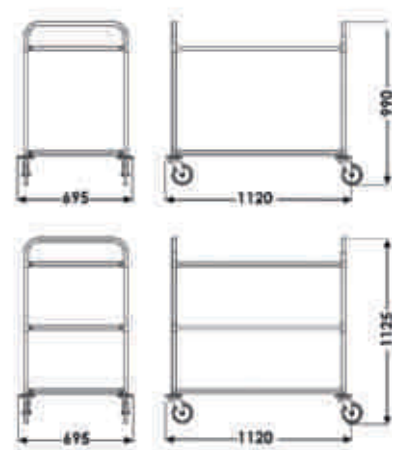


Mahogany

DINASTAR	Small		Large	
Useful size shelves (L x H)	830 x 540 mm		1000 x 575 mm	
Number of shelves	2	3	2	3
Overall size (L x W x H)	950 x 660 x 990 mm	950 x 660 x 1125 mm	1120 x 695 x 990 mm	1120 x 695 x 1125 mm
Gap between shelves	610 mm	360 mm	610 mm	360 mm
Ref. Grey	1 220 400	1 220 410	1 220 440	1 220 450
Ref. Lavender Blue	1 220 404	1 220 414	1 220 444	1 220 454
Ref. Mahogany	1 220 402	1 220 412	1 220 442	1 220 452



● Small



● Large

# Dakota

## SPECIFICATIONS

- Clearing trolley entirely in anodised aluminium
- 2 or 3 shelves in anodised aluminium
- 40 mm upstands on 3 sides
- 4 x 100mm Ø with corner buffers

## OPTIONS

- Bacbis 170 or 570 and Starbox (see p. 65)
- Wheels with brake



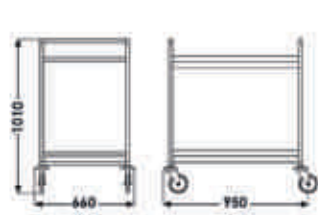
Dakota 3 Large  
Ref. 1 220 458



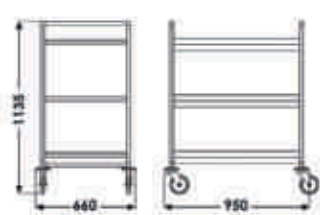
● 40 mm upstands on 3 sides



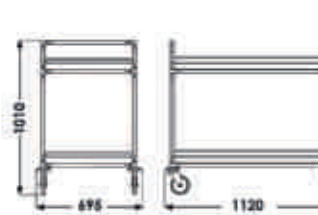
Dakota 2 Small  
Ref. 1 220 408



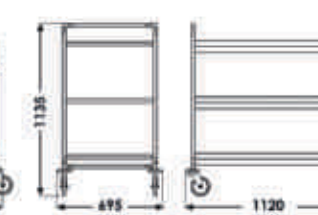
● Small



● Small



● Large



● Large

DAKOTA	Small		Large	
Number of shelves	2	3	2	3
Overall size (L x W x H)	950 x 660 x 1010 mm	950 x 660 x 1135 mm	1120 x 695 x 1010 mm	1120 x 695 x 1135 mm
Useful size of slides (L x W)	830 x 560 mm	830 x 560 mm	1000 x 595 mm	1000 x 595 mm
Useful size between slides	580 mm	330 mm	580 mm	330 mm
Ref.	1 220 408	1 220 418	1 220 448	1 220 458

# Darwin

## SPECIFICATIONS

- Anodized aluminum trolley
- Closed on 3 sides covered with Volkern panels
- Choice of colors: ceruse oak, mahogany, wenge or dark grey
- 3 Removable Volkern shelves, easy to clean
- Useful size per shelf = 830 x 540 mm
- Gap between shelves = 360 mm
- Overall size = 950 x 660 x 1125 mm
- 4 swivel wheels Ø 100 mm with circular buffers

## OPTIONS

- Wheels with brake
- Multi-purpose fixing bar for accessories
- With doors



Darwin Grey  
Ref. 1 220 480  
+ doors in option

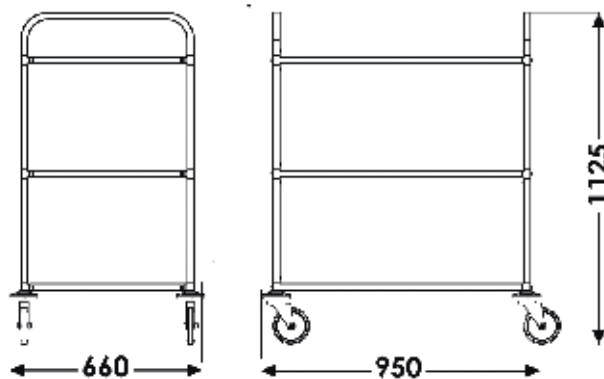


Darwin  
Ref. 1 220 480



● Removable shelves

● 4 x 15 mm upstand



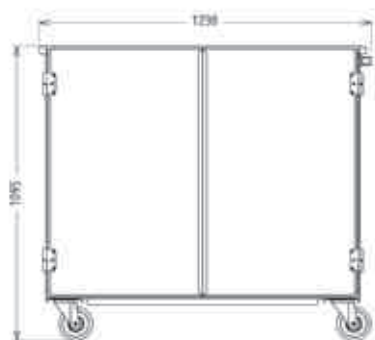
## DARWIN

Useful size shelves	830 x 540 mm
Number of shelves	3
Overall size (L x W x H)	950 x 660 X 1125 mm
Gap between shelves	360 mm
Ref. Grey	1 220 480
Ref. Mahogany	1 220 481
Ref. Ceruse Oak	1 220 482

# Doha

## SPECIFICATIONS

- Closed trolley with doors in anodized aluminium with decor (choice of grey, mahogany or ceruse oak)
- 2 x 5 runners for 500 x 500 mm glass washer racks (not included)
- Top shelf with 15 mm upstand
- 2 Steering handle
- 4 x Ø 160 mm swivel wheels in non-marking grey rubber
- 2 grey rubber corner buffers



## DOHA

Ref. Grey	1 420 380
Ref. Mahogany	1 420 381
Ref. Ceruse Oak	1 420 382

## Options



- Removable waste sackholder 110 L
- Ref. 1 180 421



- Platin tray in anodized aluminium 500 x 500 mm
- Ref. 1 620 031



- Starbox in anodised aluminium
- Ref. 1 282 230



# Mono

## TRAY CLEARING AND RACKING TROLLEY

Racking Trolleys for transport, storage and self-clearing.

Available in **Gastronorm GN 1/1**, **Gastronorm GN 2/1**, **Euronorm** and **Pâtisseries**

### SPECIFICATIONS

- Frame in anodized aluminium, light weight and hard wearing
- Number of runners: 6, 10 or 12
- Standard runners: L30/40
- Runners for Gastronorm containers: L16/16
- Clearance between runners: 100, 130 or 150 mm
- 4 x Ø 100 mm Easy Roll swivel wheels in non-marking grey rubber with circular buffers
- Closed version available = Porto (top shelf with upstands and steering handle)
- Delivered without accessories

### OPTIONS

- Top shelf in Volkern (blue, vanilla or grey)
- Top shelf with 40 mm upstand
- Handle
- Folding side shelf
- Wheels with brakes
- Large choice of trays, plates and accessories (see p. 65)



Mono GN 1/1  
Ref. 1 430 131  
+ option Top shelf with 40 mm upstand  
Ref. 1 430 511



Mono GN 1/1  
Ref. 1 430 103  
+ option Top shelf in Volkern  
Ref. 1 430 501



Mono GN 2/1  
Ref. 1 430 167

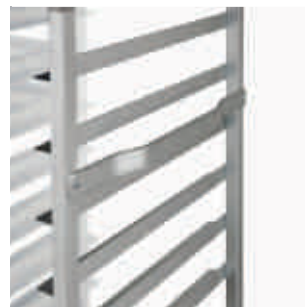
## Options



- Top shelf in Volkern
- Ref. 1 430 501



- Top shelf with 40 mm upstand
- Ref. 1 430 511



- Handle
- Ref. 1 430 520



- Folding side shelf
- Ref. 1 430 521

Format	Tray dimensions	L x W
Gastronorm GN 1/1	325 x 530 mm	620 x 455 mm
Euronorm - EN	370 x 530 mm	620 x 500 mm
Patissier - P	400 x 600 mm	690 x 530 mm
Gastronorm GN 2/1	650 x 530 mm	740 x 660 mm

Height Of Trolley			
Clearance between runners	6 runners	10 runners	12 runners
100 mm	830 mm	1230 mm	1430 mm
130 mm	1010 mm	1585 mm	1845 mm
150 mm	1130 mm	1795 mm	–

\* Above 1500 mm high we reinforce the structure with an extra tube

REFERENCES MONO								
Number of runners	6			10			12	
Clearance between runners	100 mm	130 mm	150 mm	100 mm	130 mm	150 mm	100 mm	130 mm
Gastronorm GN 1/1	1 430 101	1 430 102	1 430 103	1 430 131	1 430 132	1 430 133	1 430 161	1 430 162
Euronorm	1 430 111	1 430 112	1 430 113	1 430 141	1 430 142	1 430 143	1 430 171	1 430 172
Patissier	1 430 121	1 430 122	1 430 123	1 430 151	1 430 152	1 430 153	1 430 181	1 430 182
Gastronorm GN 2/1	1 430 106	1 430 107	1 430 108	1 430 136	1 430 137	1 430 138	1 430 166	1 430 167

REFERENCES MONO PORTO								
Number of runners	6			10			12	
Clearance between runners	100 mm	130 mm	150 mm	100 mm	130 mm	150 mm	100 mm	130 mm
Gastronorm GN 1/1	1 430 101-100	1 430 102-100	1 430 103-100	1 430 131-100	1 430 132-100	1 430 133-100	1 430 161-100	1 430 162-100
Euronorm	1 430 111-100	1 430 112-100	1 430 113-100	1 430 141-100	1 430 142-100	1 430 143-100	1 430 171-100	1 430 172-100
Patissier	1 430 121-100	1 430 122-100	1 430 123-100	1 430 151-100	1 430 152-100	1 430 153-100	1 430 181-100	1 430 182-100
Gastronorm GN 2/1	1 430 106-100	1 430 107-100	1 430 108-100	1 430 136-100	1 430 137-100	1 430 138-100	1 430 166-100	1 430 167-100

# Twin

## TRAY CLEARING AND RACKING TROLLEY

Racking Trolleys for transport, storage and self-clearing.

Available in **Gastronorm GN 1/1, Gastronorm GN 2/1, Euronorm and Patisserie**

### SPECIFICATIONS

- Frame in anodized aluminium, light weight and hard wearing
- Number of runners: 6, 10 or 12
- Standard runners: L30/40
- Runners for Gastronorm containers: L16/16
- Clearance between runners: 100, 130 or 150 mm
- 4 x Ø 100 mm Easy Roll swivel wheels in non-marking grey rubber with circular buffers
- Closed version available = Porto (top shelf with upstands and steering handle)
- Delivered without accessories

### OPTIONS

- Top shelf in Volkern (blue, vanilla or grey)
- Top shelf with 40 mm upstand
- Handle
- Folding side shelf
- Wheels with brakes
- Large choice of trays, plates and accessories (see p. 65)



Twin GN 1/1, 2 x 10  
Ref. 1 430 231  
+option Top shelf with 40 mm upstand  
Ref. 1 430 512  
+ option Folding side shelf  
Ref. 1 430 521



Twin GN 1/1, 2 x 12  
Ref. 1 430 261

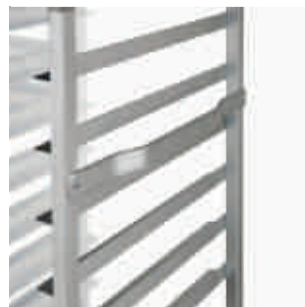
## Options



- Top shelf in Volkern
- Ref. 1 430 502



- Top shelf with 40 mm upstand
- Ref. 1 430 512



- Handle
- Ref. 1 430 520



- Folding side shelf
- Ref. 1 430 521

Format	Tray dimensions	L x W
Gastronorm GN 1/1	325 x 530 mm	620 x 815 mm
Euronorm - EN	370 x 530 mm	620 x 905 mm
Patissier - P	400 x 600 mm	690 x 965 mm

Height Of Trolley			
Clearance between runners	6 runners	10 runners	12 runners
100 mm	830 mm	1230 mm	1430 mm
130 mm	1010 mm	1530 mm	1850 mm
150 mm	1130 mm	1730 mm	–

\* Above 1500 mm high we reinforce the structure with an extra tube

REFERENCES TWIN								
Number of runners	2 x 6			2 x 10			2 x 12	
Clearance between runners	100 mm	130 mm	150 mm	100 mm	130 mm	150 mm	100 mm	130 mm
Gastronorm GN 1/1	1 430 201	1 430 202	1 430 203	1 430 231	1 430 232	1 430 233	1 430 261	1 430 262
Euronorm	1 430 211	1 430 212	1 430 213	1 430 241	1 430 242	1 430 243	1 430 271	1 430 272
Patissier	1 430 221	1 430 222	1 430 223	1 430 251	1 430 252	1 430 253	1 430 281	1 430 282

REFERENCES TWIN PORTO								
Number of runners	2 x 6			2 x 10			2 x 12	
Clearance between runners	100 mm	130 mm	150 mm	100 mm	130 mm	150 mm	100 mm	130 mm
Gastronorm GN 1/1	1 430 201-100	1 430 202-100	1 430 203-100	1 430 231-100	1 430 232-100	1 430 233-100	1 430 261-100	1 430 262-100
Euronorm	1 430 211-100	1 430 212-100	1 430 213-100	1 430 241-100	1 430 242-100	1 430 243-100	1 430 271-100	1 430 272-100
Patissier	1 430 221-100	1 430 222-100	1 430 223-100	1 430 251-100	1 430 252-100	1 430 253-100	1 430 281-100	1 430 282-100



# Triade

## TRAY CLEARING AND RACKING TROLLEY

Racking Trolleys for transport, storage and self-clearing.

Available in **Gastronorm GN 1/1**, **Gastronorm GN 2/1**, **Euronorm** and **Pâtissier**

### SPECIFICATIONS

- Frame in anodized aluminium, light weight and hard wearing
- Number of runners: 6, 10 or 12
- Standard runners: L30/40
- Runners for Gastronorm containers: L16/16
- Clearance between runners: 100, 130 or 150 mm
- 4 x Ø 100 mm Easy Roll swivel wheels in non-marking grey rubber with circular buffers
- Closed version available = Porto (top shelf with upstands and steering handle)
- Delivered without accessories

### OPTIONS

- Top shelf in Volkern (blue, vanilla or grey)
- Top shelf with 40 mm upstand
- Handle
- Folding side shelf
- Wheels with brakes
- Large choice of trays, plates and accessories (see p. 65)



Triade GN 1/1, 3 x 10  
Ref. 1 430 331  
+ option Top shelf with 40 mm upstand  
Ref. 1 430 513



Triade Porto GN 1/1, 3 x 10  
Ref. 1 430 331-100

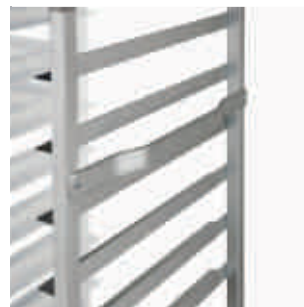
## Options



- Top shelf in Volkern
- Ref. 1 430 503



- Top shelf with 40 mm upstand
- Ref. 1 430 513



- Handle
- Ref. 1 430 520



- Folding side shelf
- Ref. 1 430 521

Format	Tray dimensions	L x W
Gastronorm GN 1/1	325 x 530 mm	620 x 1175 mm
Euronorm - EN	370 x 530 mm	620 x 1310 mm
Patissier - P	400 x 600 mm	690 x 1400 mm

Height Of Trolley			
Clearance between runners	6 runners	10 runners	12 runners
100 mm	830 mm	1230 mm	1430 mm
130 mm	1010 mm	1530 mm	1850 mm
150 mm	1130 mm	1730 mm	–

\* Above 1500 mm high we reinforce the structure with an extra tube

REFERENCES TRIADE								
Number of runners	3 x 6			3 x 10			3 x 12	
Clearance between runner	100 mm	130 mm	150 mm	100 mm	130 mm	150 mm	100 mm	130 mm
Gastronorm GN 1/1	1 430 301	1 430 302	1 430 303	1 430 331	1 430 332	1 430 333	1 430 361	1 430 362
Euronorm	1 430 311	1 430 312	1 430 313	1 430 341	1 430 342	1 430 343	1 430 371	1 430 372
Patissier	1 430 321	1 430 322	1 430 323	1 430 351	1 430 352	1 430 353	1 430 381	1 430 382

REFERENCES TRIADE PORTO								
Number of runners	3 x 6			3 x 10			3 x 12	
Clearance between runners	100 mm	130 mm	150 mm	100 mm	130 mm	150 mm	100 mm	130 mm
Gastronorm GN 1/1	1 430 301-100	1 430 302-100	1 430 303-100	1 430 331-100	1 430 332-100	1 430 333-100	1 430 361-100	1 430 362-100
Euronorm	1 430 311-100	1 430 312-100	1 430 313-100	1 430 341-100	1 430 342-100	1 430 343-100	1 430 371-100	1 430 372-100
Patissier	1 430 321-100	1 430 322-100	1 430 323-100	1 430 351-100	1 430 352-100	1 430 353-100	1 430 381-100	1 430 382-100

# Vancouver

## SPECIFICATIONS

- Closed trolley with 2 compartments sized at Gastronorm 1/1 or Euronormformat
- 2 x 20 runners with 40 mm clearance
- Frame, side and rear panels in anodised aluminium
- Top in durable scratch-proof grey Volkern with 40 mm upstands
- 4 x Ø 100 mm easy roll swivel wheels in non-marking grey rubber with circular buffers
- Interior fitting not included

## OPTIONS

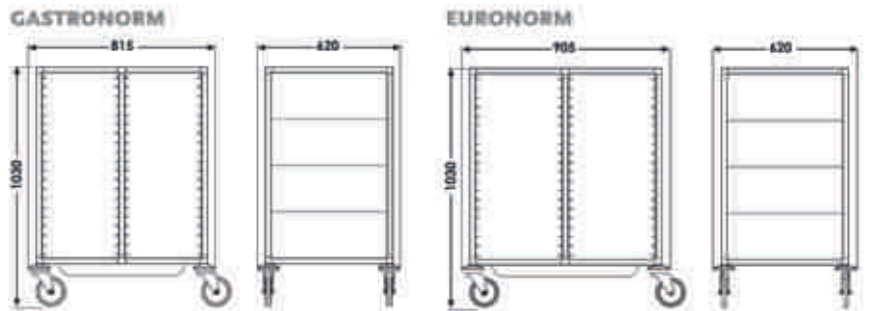
- Large choice of plates, trays, and accessories (see p. 65)
- With doors
- Brakes on 2 wheels



Vancouver GN 1/1  
Ref. 1 420 290



- 40 mm spacing between runners for complete flexibility in positioning trays and grids



## VANCOUVER

Number of runners	2 x 20	
Clearance between runners	40 mm	
Format	Gastronorm GN 1/1	Euronorm
Useful size (L x W)	530 x 325 mm	530 x 370 mm
Overall size (L x W x H)	815 x 620 x 1030 mm	905 x 620 x 1030 mm
Réf. Vancouver (without doors)	1 420 290	1 420 292
Réf. Vancouver Porto (with doors)	1 420 291	1 420 293

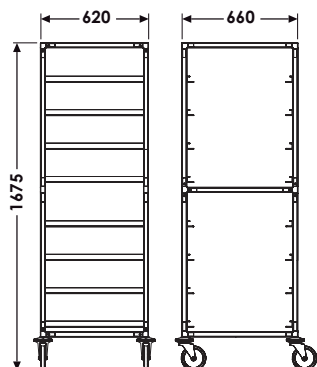
# Watson 8

## DISHWASHER RACKING TROLLEY

- Anodized aluminium trolley
- 4 heavy duty swivel wheels
- Dishwasher racks not included

## SPECIFICATIONS

- 8 racks
- 4 x Ø 100 mm easy roll swivel wheels in non-marking grey rubber with circular buffers



Watson 8  
Ref. 1 420 362



- Option: Drip tray
- Ref. 1 620 031



- 'U' shaped runners to prevent racks from tipping over during transport

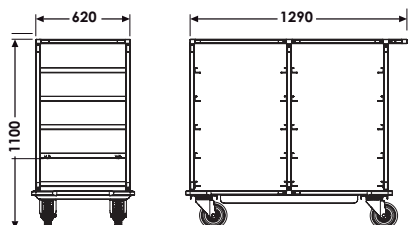
# Watson 2x5

## DISHWASHER RACKING TROLLEY

- Anodized aluminium trolley
- 4 heavy duty swivel wheels
- Dishwasher racks not included

## SPECIFICATIONS

- 2 x 5 racks
- top shelf in Volkern with 15mm upstand
- Steering handle
- 4 x Ø 125 mm easy roll swivel wheels in non-marking grey rubber
- Grey rubber corner buffers



Watson 2 x 5  
Ref. 1 420 363

WATSON	8	2x5
Number of runners	8	10
Clearance between runners	170 mm	170 mm
Useful size (L x W)	500 x 500 mm	500 x 500 mm
Overall size (L x W x H)	620 x 660 x 1675 mm	620 x 1290 x 1100 mm
Ref.	1 420 362	1 420 363



- 4 grey rubber corner buffers



# Savarin

## SPECIFICATIONS

- Closed trolley with 35 runners with 40 mm clearance
- Entirely in anodised en aluminium: leight-weight and robust
- Door opens at 270° angle
- Available for GN 1/1, 2/1 and Pâtissier (600 x 400 mm) size
- 4 heavy-duty easy roll swivel wheels Ø 100 mm in non-marking grey rubber with circular buffers to protect interior and trolley
- Plates and trays not included

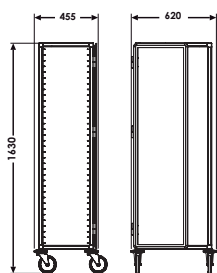
## OPTIONS

- Large choice of plates, trays, and accessories (see p. 65)
- Lock for door
- Decor panelling on request
- Brakes on 2 wheels

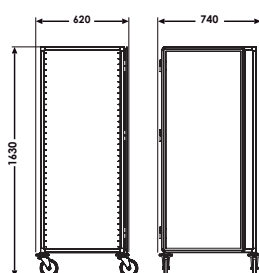


Savarin GN 2/1  
Ref. 1 120 957  
+ brakes optional

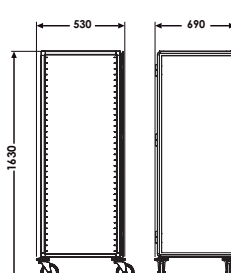
### GASTRONORM 1/1



### GASTRONORM 2/1



### PATISSIER



● Door opens at 270°



## SAVARIN

Number of runners	35		
Clearance between runners	40 mm		
Format	Gastronorm GN 1/1	Gastronorm GN 2/1	Pâtissier
Useful size (L x W)	325 x 530 mm	530 x 650 mm	600 x 400 mm
Overall size (L x W x H)	455 x 620 x 1630 mm	620 x 740 x 1630 mm	530 x 690 x 1630 mm
Ref.	1 120 956	1 120 957	1 120 958



# Accessories



- Polypro: reinforced polyester



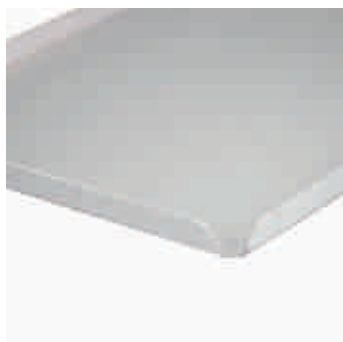
- Steward Granit/Teck
- Other colours on request



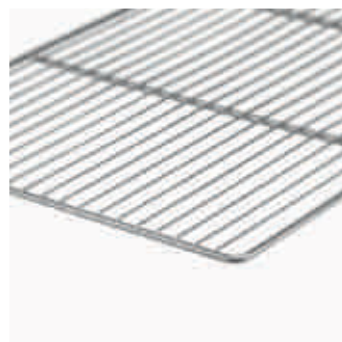
- Folding shelf
- Ref. 1 351 057



- Platinal: plate in anodised aluminium with welded corners



- Trattoria: plate in anodised aluminium with open corners



- Grid in stainless steel



- GN Containers in stainless steel 18/10



- Polybac (GN)
- Ref. 1 623 311



- Starbox in anodised aluminium
- Ref. 1 282 230



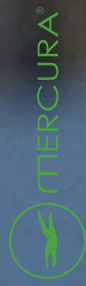
- Bacbis: clip-on watertight container
- Height: 170 mm
- Ref. 1 252 100



- Bacbis: clip-on watertight container
- Height: 570 mm
- Ref. 1 252 110



[www.mercura.com](http://www.mercura.com)



MERCURA®



# HANDLING



# Alaska (200 kg)

## PLATFORM TROLLEY IN ALUMINIUM

### SPECIFICATIONS

- Platform truck with 1 panel with steering handle
- Sturdy construction made of aluminium
- Maximum load capacity of 200 Kg
- Antibacterial design with smooth easy to clean surfaces
- 4 solid rubber wheels, 2 fixed and 2 swivel



	LUGANO		ALASKA		BRAZILIA
Maximum load	400 Kg		200 Kg		400 Kg
Type	N°1		N°2	N°3	
Size platform (L x W)	1200 x 750 mm	800 x 550 mm	1000 x 650 mm	1200 x 750 mm	1200 x 750 mm
Overall size (L x W x H)	1255 x 750 x 990 mm	870 x 550 x 100 mm 0	1070 x 650 x 1000 mm	1270 x 750 x 1000 mm	1310 x 750 x 990 mm
Ø rubber wheels	200 mm	160 mm	160 mm	160 mm	200 mm
Code	1 440 100	1 440 201	1 440 202	1 440 203	1 440 000

# Lugano (400 kg)

## PLATFORM TROLLEY IN ALUMINIUM

### SPECIFICATIONS

- Platform truck with 1 panel with steering handle
- Sturdy construction made of aluminium
- Maximum load capacity of 400 Kg
- Antibacterial design with smooth easy to clean surfaces
- 4 solid rubber wheels, 2 fixed and 2 swivel



# Brazilia

## PLATFORM TROLLEY IN ALUMINIUM

### SPECIFICATIONS

- Platform truck with 2 panels with steering handle
- Sturdy construction made of aluminium
- Maximum load capacity of 400 Kg
- Antibacterial design with smooth easy to clean surfaces
- 4 solid rubber wheels, 2 fixed and 2 swivel



# Romano

## PLATFORM TRUCK IN STEEL TUBE WITH 1 END PANEL

### SPECIFICATIONS

- Frame and push handle in strong steel tube
- Platform and end 18 mm Multiplex wood panel
- Available in 4 sizes
- Maximum load from 350 to 500 Kg
- Solid rubber Ø 200 mm wheels, 2 fixed and 2 swivel

### OPTION

- Pneumatic wheels Ø 260 mm



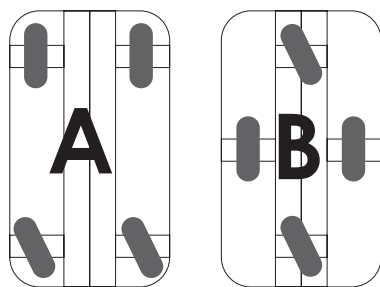
N°1  
Ref. 1 441 001

N°2  
Ref. 1 441 002

N°3  
Ref. 1 441 003

N°4  
Ref. 1 441 004

### WHEELS SETUP



**Setup B:**  
Diamond shaped layout,  
for better manoeuvrability  
with heavy loads



- Sliding Multiplex panel  
18 mm to transport  
large volume

ROMANO	N°1	N°2	N°3	N°4
Maximum load	350 Kg	500 Kg	500 Kg	500 kg
Size platform	800 mm	1000 mm	1200 mm	1500 mm
Overall size (L x W)	900 x 550 mm	1100 x 650 mm	1300 x 750 mm	1600 x 750 mm
Height and panel	530 mm	530 mm	530 mm	530 mm
Wheel setup	A	A	A	B
Code	1 441 001	1 441 002	1 441 003	1 441 004

# Rali

## SHELF TROLLEY WITH REMOVABLE SHELVES

### SPECIFICATIONS

- Sturdy construction made of steel tube
- 7 or 3 'L' supports for shelves
- Platform and removable shelves in wood panel
- 4 wheels, 2 fixed and 2 swivel



Ref. 1 441 103



Ref. 1 441 107

RALI	RALI 03	RALI 07
Overall size (L x W x H)	860 x 550 x 1110 mm	1300 x 630 x 1850 mm
Useful size (L x W)	760 x 500 mm	1220 x 610 mm
Distance between shelves	380 mm	170 mm
Height top shelf	1000 mm	1600 mm
Height inferior shelf	210 mm	260 mm
Load	200 Kg	300 Kg
Ø wheels	100 mm	200 mm
Code	1 441 103	1 441 107



# Diabalu

## HAND TRUCK IN ALUMINIUM

### SPECIFICATIONS

- Maximum load capacity 150 Kg
- 2 rubber wheels Ø 200 mm
- Standard foot plate 450 x 200 mm
- Sturdy construction

### OPTIONS

- 'V' support legs for easy horizontal loading
- Folding foot plate in aluminium 700 mm long
- Extra deep foot plate 450 x 300 mm
- Pneumatic wheels Ø 260 mm



Ref. 1 340 010



Ref. 1 340 011  
+ option folding foot plate  
in aluminium 700 mm long  
Ref. 1 354 010



Ref. 1 340 011  
+ options:  
● 'V' support legs  
Ref. 1 354 021  
● Folding foot plate 700 mm  
Ref. 1 354 010



- Pneumatic wheels



- Folding foot plate 700 mm long  
● Ref. 1 354 010



- Deep foot plate 450 x 300 mm  
● Ref. 1 354 041



- 'V' support legs  
● Rubber wheels  
Ref. 1 354 019  
● Pneumatic wheels  
Ref. 1 354 021

## DIABALU

### Rubber

### Pneumatic

Overall size (L x W)

1270 x 480 mm

1270 x 530 mm

Maximum load

150 Kg

150 Kg

Ø wheels

200 mm

260 mm

Code

1 340 010

1 340 011



# Maintenance

## MAINTENANCE TROLLEY (AVAILABLE IN TWO SIZES)

### SPECIFICATIONS

- 2 fixed shelves in aluminium
- Sturdy hard-wearing worktop in Multiplex
- Platform in Volkern
- 4 wheels Ø 160 mm, 2 fixed and 2 swivel
- Hook to support ladders or neon lights, ladder not included
- Doors included



MAINTENANCE	104	131
Overall size (L x W x H)	1040 x 510 x 980 mm	1310 x 510 x 980 mm
Useful size worktop (L x W)	760 x 300 mm	760 x 300 mm
Useful size shelves (L x W)	760 x 440 mm	760 x 440 mm
Code	1 330 104	1 330 131

# HOTEL REFERENCES

## **ALGERIA**

Sheraton Club des Pins, Alger  
Sheraton Oran, Oran  
Hilton, Alger

## **AUSTRIA**

Thermal Hotel Fontana, Bad Radkersburg  
Hotel Zentral, Kirchberg  
Falkensteiner Hotel, Rennweg  
Hotel Gut Brnadhof, Saalfelden  
ThermenResort, Warmbad-Villach

## **ARGENTINA**

Alvear Palace Hotel, Buenos Aires

## **BELGIUM**

Conrad, Bruxelles  
Dorint Spa, Balmoral  
Hotel Royal Windsor, Bruxelles  
NH Hotel, Brugge  
Pullman, Zaventem  
Hilton, Antwerpen

## **BAHREIN**

Al Matrook Tower Hotel, Manama  
Downtown Rotana, Manama  
Ritz-Carlton, Manama

## **BRAZIL**

Kubitschek Palace Brazilia  
Copacabana Palace  
Sofitel Salvador  
Sofitel, Rio  
Sheraton, Rio

## **BULGARIA**

Sheraton Hotel, Sofia

## **CAMEROON**

Planet Hotel, Douala

## **CANADA**

Hilton, Laval  
Sheraton, Laval  
W Hotel, Montreal  
Trump Hotel, Vancouver

## **CROATIA**

Hotel Bellevue, Sibenik  
Hotel Briig, Split  
Hotel Marvie, Split  
Hotel Palace Judita, Split  
Hotel Borovnik, Tisno  
Hotel admiral, Zagreb

## **CYPRUS**

Amathus Beach Hotels, Limassol  
Four Seasons Hotel, Limassol  
Mediterranean Beach Hotel, Limassol  
St Raphael Resort, Limassol  
Elysium Hotel, Paphos  
Thanos Hotels

## **CZECH REPUBLIC**

Radisson SAS Alcron Hotel, Praha  
Angelo Hotel, Praha  
Intercontinental, Praha

## **DOMINICAN REPUBLIC**

Hard Rock Hotel, Punta Cana

## **EGYPT**

Savoy, Sharm El Sheikh  
Mövenpick, Cairo-Media City  
Conrad, Le Caire  
Fairmont, Heliopolis

St George Hotel, Louxor

## **ESTONIA**

Radisson SAS Astlanta Hotel, Tallinn

## **FINLAND**

Radisson Royal Hotel, Helsinki  
Scandic Grand Marina, Helsinki  
Sokos Hotel, Vantaa  
Crowne Plaza, Helsinki  
Klaus K, Helsinki

## **FRANCE**

Disneyhotel, Chessy  
Hotel Royal Barrière, Deauville  
Intercontinental, Marseille  
SBM, Monaco  
Park Hyatt, Nice  
Bristol, Paris  
Hotel Ritz, Paris  
Le Crillon, Paris  
Shangri-La, Paris

## **GERMANY**

Romantik Seehotel, Ahlbecker Hof  
Thermenhotel Quellenhof, Bad Füssing  
Excelsior Hotel, Berlin  
Hotel Adlon, Berlin  
25hours Hotel Bikini, Berlin  
The Westin Grand, Berlin  
Schloss, Elmau  
Hilton, Frankfurt  
Meridien Park Hotel, Frankfurt  
The Westin Grand Frankfurt  
Villa Kennedy, Frankfurt  
The New Gen Hotels, Hamburg  
Crowne Plaza, Heidelberg  
Hotel Gude, Kassel  
Falkenstein Grand Kempinski,  
Königstein Im Taunus  
H10 Hotel Berlin Ku'damm  
Excelsior Hotel Ernst, Köln  
Arabella Hotel, München  
Maritim Hotel, Stuttgart  
Althoff Hotel am Schlossgarten, Stuttgart  
Sheraton, Hannover

## **GHANA**

Golden Tulip, Accra

## **GREECE**

Astir Palace, Athens  
Divanis Caravel Athens  
King George Athens  
New Hotel, Athens  
Aldemar Crete  
Cretan Malia Park Resort, Crete  
Elounda Bay Palace Crete  
Miraggio Thermal Spa Resort, Halkidiki  
Gennadi Grand Resort, Rhodes

## **EQUATORIAL GUINEA**

Hotel 3 de Agosto, Malabo

## **HOLLAND**

Amadi Panorama Hotel, Amsterdam  
Hilton Amsterdam  
Hotel Cornelisz, Amsterdam  
Krasnapolsky Amsterdam  
NH Krasnapolsky, Amsterdam  
Okura Amsterdam

Pullitzer Amsterdam  
Royal Amsterdam  
Sheraton Schiphol, Amsterdam  
Hotel Nassau Breda  
Hotel des Indes, den Haag  
Golden Tulip, Leende  
NH Leeuwenhorst, Noordwijkerhout  
Hilton, Rotterdam  
Grand Hotel Karel V, Utrecht

## **HUNGARY**

Corinthia Grand Hotel Royal, Budapest

## **INDIA**

Hyatt Regency, New Delhi

## **ITALY**

Armani, Milan  
Park Hyatt, Milan  
Viu, Milan  
Terme di Saturnia, Tuscany  
Kempinski Prigelato Village  
Regina Isabella, Ischia  
Hotel Risorgimento, Lecce  
Hotel Rome Cavalieri, Rome  
Hotel Bellevue Syrene, Sorrento  
Maison La Minervetta, Sorrento  
Hotel Cipriani, Venice  
Palazzo Venart, Venice  
Grand Hotel Principe di Piemonte,  
Viareggio

## **IRELAND**

Fitzwilliam Hotel, Belfast  
Lough Erne Golf Resort, Enniskillen  
The Westbury Hotel, Dublin  
Westin Hotel, Dublin  
The Ritz Carlton, Enniskerry  
Marriott Hotel, Enfield  
Radisson Blu Galway

## **ISRAEL**

Royal Beach Red Sea, Eilat  
Carmel Forest, Haifa  
Dan Hotels, Jerusalem  
King David, Jerusalem  
Leonardo hotels, Jerusalem  
Crown Plaza, Tel Aviv  
Sheraton, Tel Aviv

## **JORDAN**

Grand Hyatt, Amman  
Mövenpick, Aqaba  
Mövenpick, Talabay

## **KENYA**

Ole Sereni Hotel, Nairobi

## **R.D. CONGO**

Grand Hotel, Kinshasa  
Hotel Memling, Kinshasa  
Kin Plaza Arjaan Rotana, Kinshasa

## **KOWEIT**

Crowne Plaza  
Holiday Inn Salmiya  
Hilton Kuwait Resort  
Marina Hotel  
Rotana Hotel

## **LEBANON**

Le Gray, Beyrouth  
Kempinski Summerland hotel & Resort  
Beirut  
Byblos Sur Mer boutique hotel  
Metropolitan Habtoor hilton hotel  
Phoenicia Intercontinental hotel  
Le Royal Hotel & Resort Beirut  
Small ville design hotel

## **LIBYA**

Corinthia Bab Africa Hotel, Tripoli

## **LATVIA**

PK Riga Hotel



**LITHUANIE**

Radisson SAS Astoria Hotel, Vilnius

**LUXEMBOURG**

Alvisse Park Hotel

**MADAGASCAR**

Hotel Soanambo, Île Sainte Marie

**MALI**

Azalaï Hotel Salam, Bamako

**MALTA**

Dolmen Resort Hotel  
Hugo's Hotel  
Intercontinental Malta  
The Westin Dragonara

**MOROCCO**

Ifrane Palace  
Royal Atlas, Agadir  
Meridien Royal Mansour, Casablanca  
Sofitel Casablanca  
Residence Hotel, Donovaly  
La Mamounia, Marrakech  
Sofitel Diwan, Rabat  
Sun City, Rabat  
Mövenpick Malabata, Tanger  
Hotel Holiday Inn, Zilina

**MONACO**

Monte Carlo Bay Hotel

**NEW CALEDONIA**

Méridien Ile des Pins, Nouméa

**NIGERIA**

Four Points Sheraton, Lagos  
Sheraton Capital Hotel, Abuja  
Sheraton Lagos Hotel, Lagos

**NORWAY**

Radisson SAS Hotel, Frederikstad  
Det Hanseatiske Hotel  
Best Western Bondeheimen Hotel, Oslo  
Hotel Continental Oslo  
Radisson Blu Airport Hotel  
Thon Hotel, Maritim & Stravanger  
Svalbard Hotel

**OMAN**

Hilton Resort Salalah  
Albustan Palace, Muttrah  
Millennium, Mussanah  
Crown Plaza, Muscat

**PHILIPPINES**

Shangri-La Boracay

**POLAND**

Hotel Regina, Warsaw  
Royal Starman Bristol, Warsaw  
Hotel Klimczok, Szczyrk

**PORTUGAL**

Hotel Intercontinental, Estoril  
Double Tree by Hilton, Lisbon,  
Fontana Park  
Pestana Hotel Porto Santo, Madeira  
The Vine Hotel, Madeira  
Sheraton Hotel, Porto  
Méridien Hotel Park Atlantic, Porto  
Hotel Tivoli Victoria, Vilamoura  
Altis Hotel  
3K Hotels

**QATAR**

Grand Hyatt, Doha  
La Cigale, Doha  
The Ritz Carlton Doha  
W Hotel, Doha

**ROMANIA**

Hilton Athenee Palace, Bucharest  
Hotel Teleferic, Poiana Brasov

**RUSSIA**

Azimut  
Hotel Rimar, Krasnodar

Hotel Metropole Moscow  
Astoria Hotel, Saint Petersburg  
Crowne Plaza, Saint Petersburg  
W Hotel Saint Petersburg  
Grand Hotel Polyana Sochi  
Holiday Inn Moskovskie Vorota

**SAUDI ARABIA**

Al Ahsa Intercontinental, Al Hofuf  
Intercontinental, Jeddah  
Kempinski Al Othman Hotel  
Sofitel Makkah Hotel  
Hilton Obeikan, Riyadh

**SENEGAL**

Le Méridien, Dakar

**SEYCHELLES**

Le Méridien Barbarons

**SWEDEN**

Comfort Hotel Göteborg  
Radisson Hotel, Göteborg  
Comfort Hotel, Norrköping  
Sheraton Hotel, Stockholm  
Elite Hotels  
Scandic Hotels  
Surahammars Herrgård

**SLOVAKIA**

Hotel Crowne Plaza, Bratislava  
Gate One Hotel, Bratislava  
Hotel Holiday Inn, Zilina  
Residence Hotel, Donovaly  
Galileo Hotel, Donovaly

**SOUTH AFRICA**

Oyster Box Hotel, Umhlanga Rocks

**SPAIN**

Iberostar  
AC Hotels  
Hipotel  
Hotels Westin  
Hospes Hoteles  
NN Hotels  
Hotel Riu Don Miguel, Canary Island  
Puerto Antilla Grand Hotel, Huelva  
Hotel Puente Romano in Marbella, Malaga  
Hotel Melia Castilla, Madrid  
The Principal Madrid Hotel, Madrid  
Hotel villa Paulita, Puigcerdà

**SWITZERLAND**

Les Trois Rois, Basel  
Discovery Hotel, Crissier  
Hotel Hirschen, Grindelwald  
Grand Hotel Kempinski, Geneva  
Hotel Warwick, Geneva  
Lake Geneva Hotel, Geneva  
Mandarin Oriental, Geneva  
Ritz Carlton, Geneva  
Starling Hotel, Geneva  
Grand Hotel Victoria-Jungfrau, Interlaken  
Grand Hôtel Les Endroits,  
La Chaux-de-Fonds  
Aquatris Hotel, Lausanne  
Mövenpick Hotel, Lausanne  
Royal Savoy, Lausanne  
Bürgerstock Hotels & Ressor Lake, Lucerne  
Hôtel Idea Lucerne  
Hotel Montreux Palace, Montreux  
Les Bains de Saillon, Saillon  
Crystal Hotel, St. Moritz  
Grand Hotel Kronenhof, St Moritz  
Hotel W Verbiers  
Dolder Hotel, Zurich  
Steigenberger Bellerive au Lac, Zurich  
Hotel Baur au Lac, Zurich

**SUDAN**

Burj Al Fateh Hotel, Khartoum

**TURKEY**

Swissotel Bosphorus, Istanbul  
Hilton, Izmir

**UAE**

Crown Plaza, Abu Dhabi  
Four Seasons, Abu Dhabi  
Marina Hotel, Yas Island Abu Dhabi  
Radisson Blu Hotel, Yas Island Abu Dhabi  
Anantara The Palm Dubai Resort  
Dubai Parks and Resort  
Grand Hyatt, Dubai  
Grand Millennium, Dubai  
Habtoor Grand Resort & Spa Dubai  
Habtoor City – St Regis ,  
Westin & W Hotel, Dubai  
Metropolitan Hotel, Dubai  
Meydan Hotel, Dubai  
Westin Dubai Marina  
Mövenpick Hotel Bur Dubai  
Radisson SAS Deira Creek Dubai  
Double Tree by Hilton resort and Spa,  
Marjan Island  
Westin, Mina Szyahi  
Damac The distinction Properties  
Double Tree by Hilton, Ras al Khaimah

**UGANDA**

Serena Hotel, Kampala

**UNITED KINGDOM**

Sheraton Grand Hotel, Edinburgh  
Hilton, Glasgow  
Rudding Park House, Harrogate  
Sheraton Skyline Hotel, Heathrow  
Corinthia London  
Crowne Plaza London-  
Albert Embankment  
Crown Plaza Manchester, Oxford Road  
Four Seasons Hamilton Place, London  
Hilton London Bankside, London  
Hilton London Tower Bridge  
Edwardian hotels  
Méridien Piccadilly, London  
Park Lane Hotel, London  
Park Plaza Westminster, London  
Royal Garden Hotel, London  
Lowry Hotel, Manchester

**UKRAINE**

Superior Hotel, Kharkov



# CRUISE LINE REFERENCES

